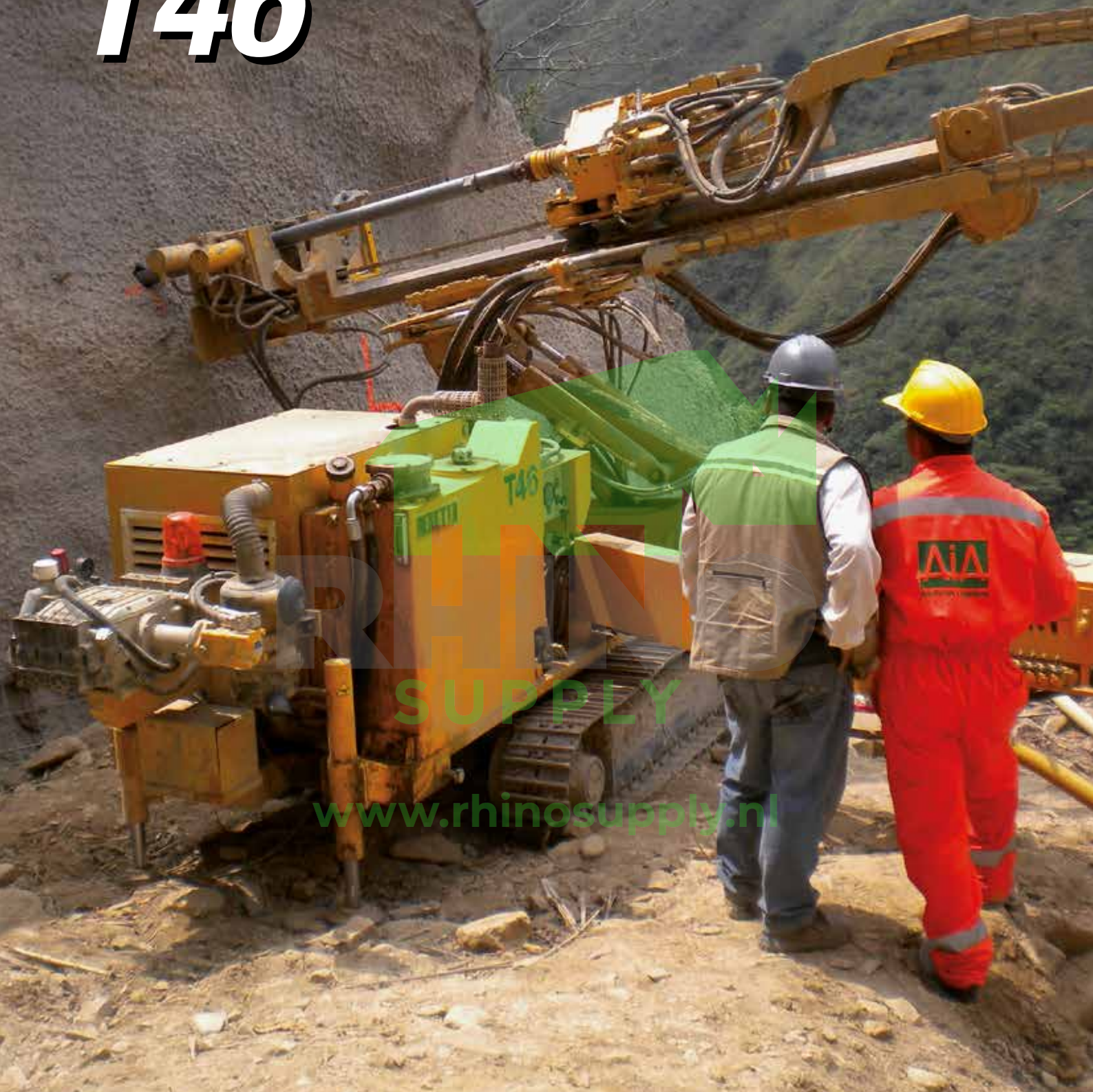


T46



BERETTA[®]
HYDRAULIC DRILLING RIGS



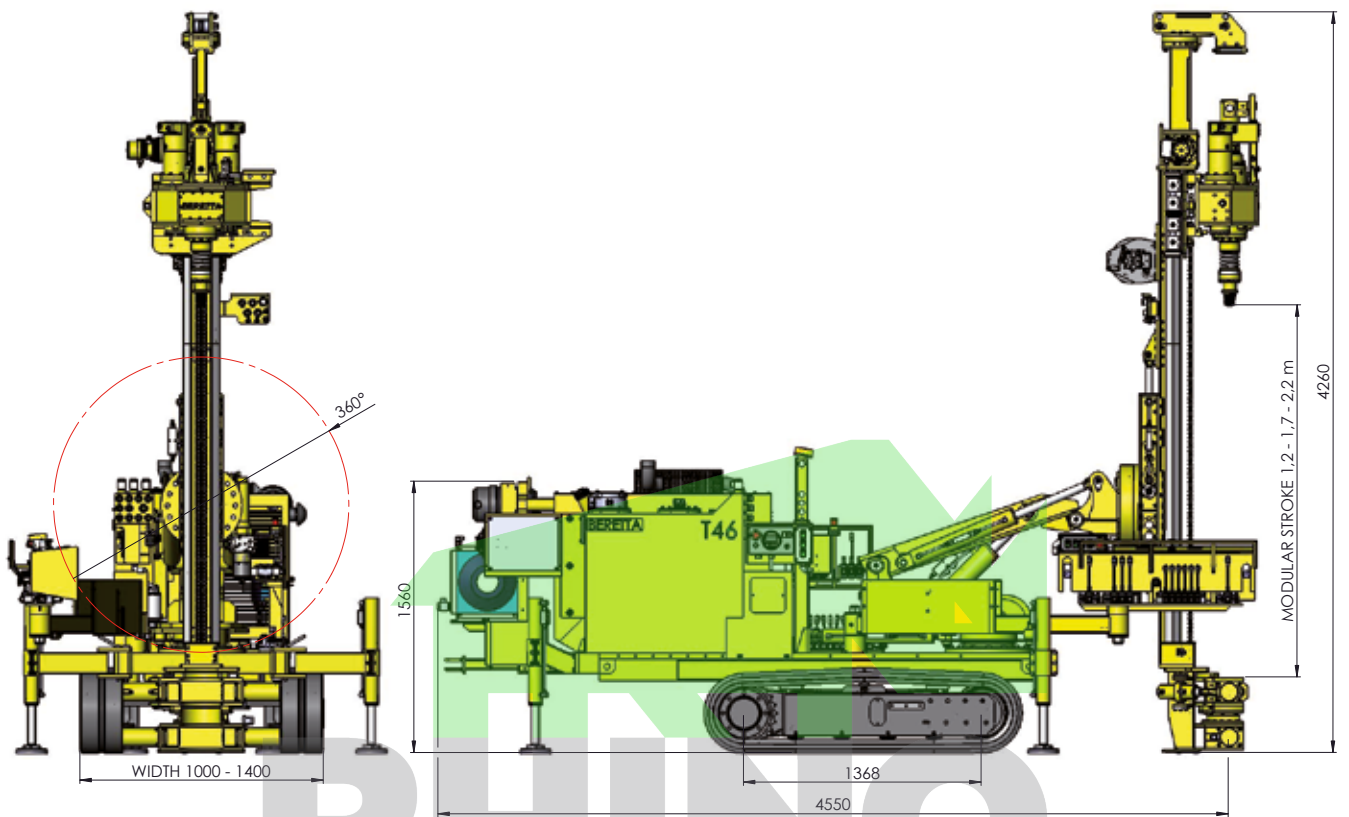
| | |
|---|------------------------------------|
| POWER PACK Unità potenza- Unitès puissance- питания- Unidad potencia- Leistungseinheit | |
| Diesel engine Motore Diesel Moteur Diesel Дизельный двигатель Motor Diesel Dieselmotor | Deutz - Stage V Kubota - Tier 3 |
| Engine power Potenza motore Puissance moteur мощность двигателя Potencia motor Motorleistung | 55 kW - 75 HP 74 kW - 100 HP |
| Oil tank Sebatoio olio Réservoir d'huile масляный бак Tanque aceite Öltank | 155 l ; 41 gal |
| Fuel tank Serbatoio diesel Réservoir a carburant Топливный бак Dépósito de combustible Treibstofftank | 55 l ; 14 gal |
| UNDERCARRIAGE Sottocarro- Chenilles- гусеницы- Orugas- Raupenwagen | |
| Width Larghezza Largeur ширина Anchura Breite | 1000 - 1400 mm ; 3,28 - 4,59 ft |
| Wheel base Passo cingolo Empattement Колесная база Distancia de rueda Radstand | 1380 mm ; 4,5 ft |
| Shoes width Larghezza pattini Larghezza patins Ширина обуви Zapatos anchos Schuhbreite | 250 mm ; 9,8 in |
| Max gradeability Pressione suolo Pression au sol давление на грунт Presion suelo Bodendruck | 35% |
| Max speed Velocità max. Vitesse max. Макс. скорость Velocidad max. Max. Geschwindigkeit | 1,5 km/h ; 0,90 mph |

| | |
|--|--|
| MAST - Mat- Мачта- Mastil | |
| Feed stroke Corsa utile Course utile ход вращателя Carrera Vorschublänge | 1200 mm ; 3,9 ft 1700 mm ; 5,5 ft 2200 mm ; 7,2 ft |
| Total length Lunghezza totale Longueur totale Общая длина Largo total Gesamtlänge | 3555 - 4260 mm ; 11,66 - 13,97 ft |
| Pull-up Tiro-spinta Traction Маск. тяговое усилие Tiro Vorschubkraft | 40 kN ; 8992 lbs opt. 50 kN ; 11200 lbs |
| CLAMPS Morsa- Mors-тиски- Mordaza | |
| Clamping diameter Diametro bloccaggio Diamètre blocage диаметр захвата тисков Diametro bloque Durchmesser Sperre | 40 - 219 mm ; 1,6 - 8,6 in |
| Clamping force Forza chiusura Force fermeture усилие зажима Fuerza cierre Schließkraft | 140 kN ; 31400 lbs |
| Break-out torque Coppia svitamento Couple deserrage момент развинчивания Par desenroscado Anzugsmoment | 1900 daNm ; 14 lbft |
| WEIGHT 4600 - 5400 Kg 10100 - 11900 lbs Peso- Poids- Bec- Gewicht | |

English Italiano Français русский Español Deutsch

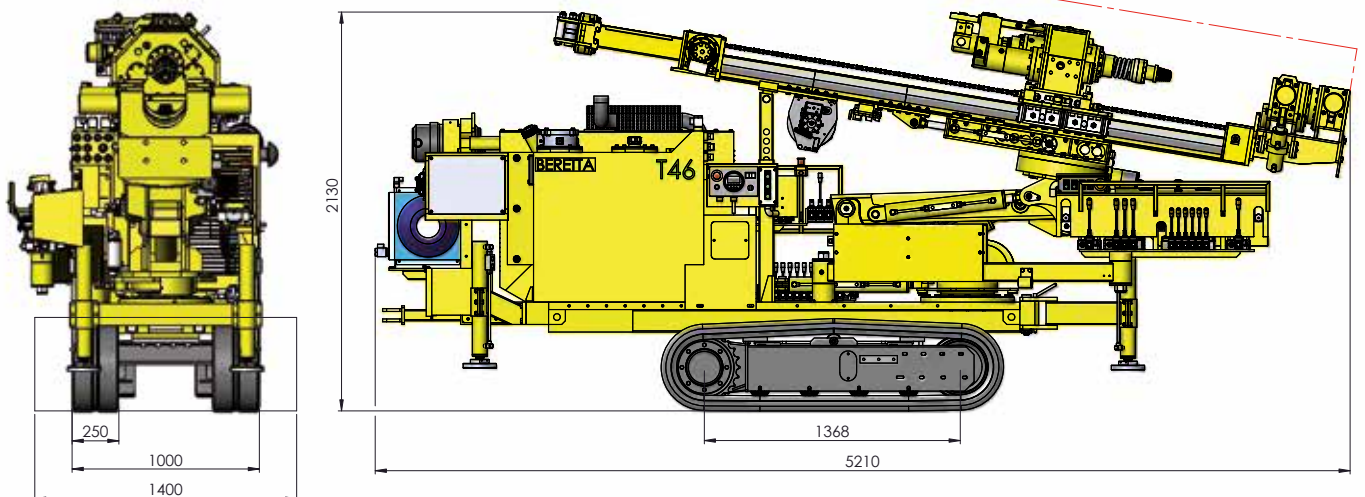
T46

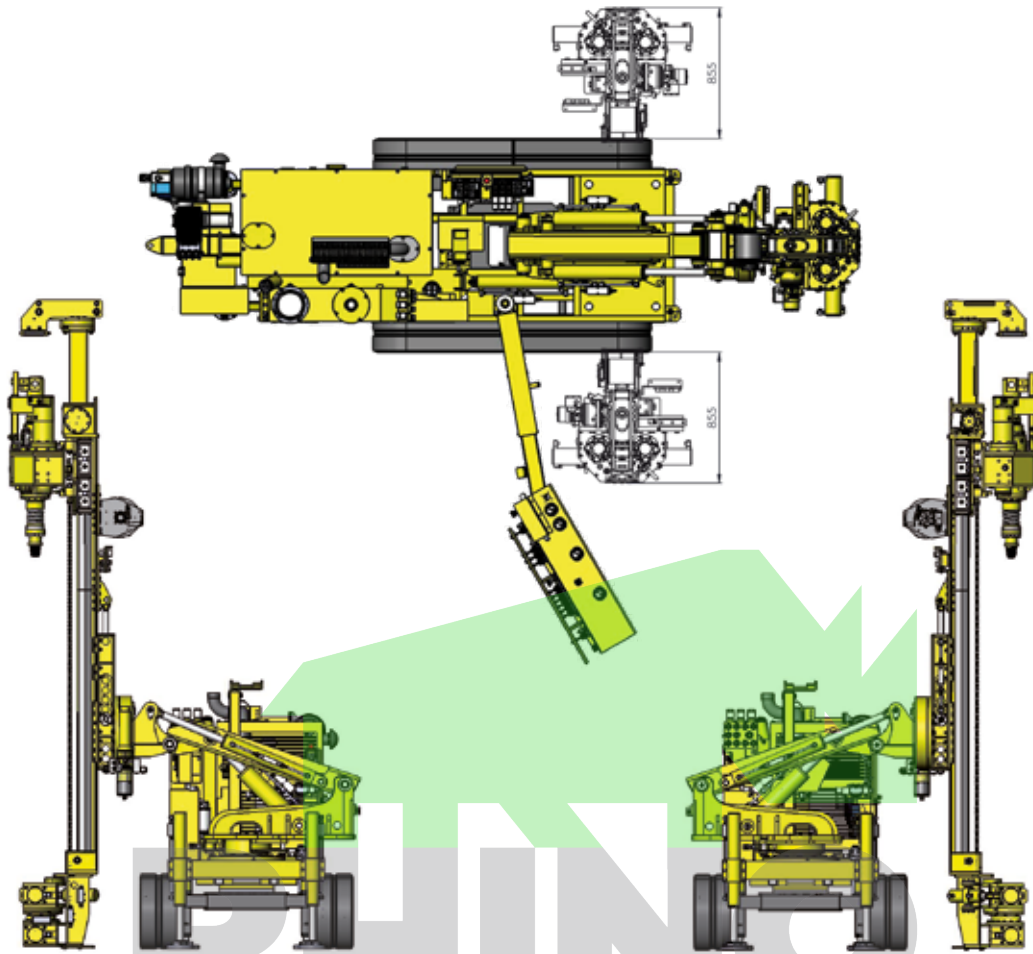
Dimensions - Dimensioni - Dimensions- размеры - Dimensiones - Größe



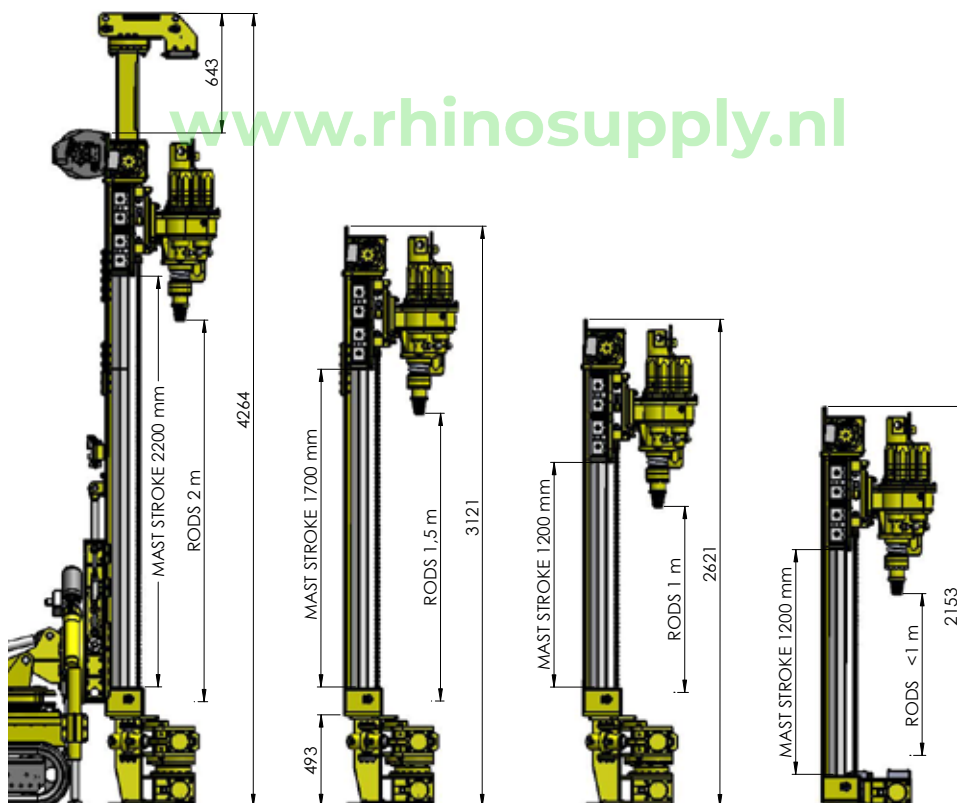
RHINO
Supply
Transport

www.rhinosupply.nl





Modular Mast Configurations



www.rhinosupply.nl



| Rotary type 43 - 2V | | | | | | |
|----------------------------|-------------------|------------|-------------------|------------|-------------------|------------|
| (version) | (A) | | (B) | | (C) | |
| SPEED | daNm (lb ft) | RPM | daNm (lb ft) | RPM | daNm (lb ft) | RPM |
| 1° | 950 (7011) | 30 | 800 (5904) | 40 | 620 (4576) | 50 |
| 2° | 475 (3506) | 60 | 400 (2952) | 80 | 310 (2288) | 100 |
| (version) | (D) | | (E) | | (F) | |
| SPEED | daNm (lb ft) | RPM | daNm (lb ft) | RPM | daNm (lb ft) | RPM |
| 1° | 500 (3690) | 65 | 400 (2952) | 82 | 310 (2288) | 100 |
| 2° | 250 (1845) | 130 | 200 (1476) | 164 | 155 (1144) | |



| Rotary type 43 - 4V (floating shaft) | | | | | | |
|---|-------------------|------------|-------------------|------------|-------------------|------------|
| (version) | (A) | | (B) | | (C) | |
| SPEED | daNm (lb ft) | RPM | daNm (lb ft) | RPM | daNm (lb ft) | RPM |
| 1° | 414 (3055) | 80 | 501 (3697) | 67 | 568 (4192) | 58 |
| 2° | 323 (2384) | 88 | 410 (3026) | 81 | 422 (3114) | 78 |
| 3° | 128 (945) | 262 | 138 (1018) | 240 | 205 (1513) | 162 |
| 4° | 37 (273) | 875 | 47 (347) | 709 | 59 (435) | 567 |
| (version) | (D) | | (E) | | (F) | |
| SPEED | daNm (lb ft) | RPM | daNm (lb ft) | RPM | daNm (lb ft) | RPM |
| 1° | 620 (4576) | 53 | 742 (5476) | 45 | 836 (6170) | 40 |
| 2° | 438 (3232) | 76 | 456 (3365) | 72 | 550 (4059) | 60 |
| 3° | 256 (1889) | 130 | 380 (2804) | 87 | 474 (3498) | 70 |
| 4° | 75 (554) | 444 | 94 (694) | 354 | 188 (1387) | 176 |

OPTIONAL

| Optional | Opzioni | Options | Опции | Opcionales | Extras |
|-----------------|--------------------|----------------|-------------------------|---------------------|--------------------|
| Hydraulic winch | Argano idraulico | Treuil hydr. | лебедка | Cabrestante | Seilwinde |
| Breaking clamp | Morsa svitatrice | Mors dévissage | Отвинчива тиски | Doble prensa | Doppelspannschelle |
| Top hammer | Martello idraulico | Marteau hydr. | пневмоударника | Martillo hidráulico | Top hammer |
| Foam pump | Pompa schiumogeno | Pompe à mousse | инжекционный | Bomba scarotatrice | Bohrpumpe |
| Water pump | Pompa Acqua | Pompe à eau | Водяной насос | Bomba agua | Wasserpumpe |
| Lubricator DTH | Oliatore DTH | Graisseur DTH | масленка пневмоударника | Lubricador en linea | Schmiervorrichtung |



T46



BERETTA migliora costantemente i suoi prodotti riservandosi il diritto di apportare qualsiasi modifica senza preavviso nè responsabilità
BERETTA continuously improves its products reservong the ringt to modify data without advance notice decling any responsibility

 **BERETTA**[®]
HYDRAULIC DRILLING RIGS

Address: Via Parini, 24 - 20842 Besana Brianza (Mb) - ITALY
Tel. +39.0362.995380

www.berettaalfredo.it - info@berettaalfredo.it