



T44



BERETTA[®]
HYDRAULIC DRILLING RIGS

POWER PACK	
Unità potenza- Unitès puissance- питания- Unidad potencia- Leistungseinheit	
Diesel engine	
Motore Diesel	Deutz - Stage V Kubota - Tier 3
Moteur Diesel	
Дизельный двигатель	
Motor Diesel	
Dieselmotor	
Engine power	
Potenza motore	55Kw - 75 HP 74Kw - 100 HP
Puissance moteur	
мощность двигателя	
Potencia motor	
Motorleistung	
Oil tank	
Sebatoio olio	160 l ; 42 gal
Réservoir d'huile	
масляный бак	
Tanque aceite	
Öltank	
Fuel tank	
Serbatoio diesel	55 l ; 14 gal
Réservoir a carburant	
Топливный бак	
Dépósito de combustible	
Treibstofftank	
UNDERCARRIAGE	
Sottocarro- Chenilles- гусеницы- Orugas- Raupenwagen	
Width	
Larghezza	1500 mm - 4,92 ft
Largeur	
ширина	
Anchura	
Breite	
Wheel base	
Passo cingolo	1700 mm ; 5,57 ft
Empattement	
Колесная база	
Distancia de rueda	
Radstand	
Shoes width	
Larghezza pattini	300 mm ; 11,81 in
Larghezza patins	
Ширина обуви	
Zapatos anchos	
Schuhbreite	
Max gradeability	
Pressione suolo	35%
Pression au sol	
давление на грунт	
Presion suelo	
Bodendruck	
Max speed	
Velocità max.	1,5 km/h ; 0,90 mph
Vitesse max.	
Макс. скорость	
Velocidad max.	
Max. Geschwindigkeit	

English	Italiano	Français	русский	Español	Deutsch
MAST - Mat- Мачта- Mastil					
Feed stroke					
Corsa utile					
Course utile					
ход вращателя					
Carrera					
Vorschublänge					
					3300 mm ; 10,8 ft
Total length					
Lunghezza totale					
Longueur totale					
Общая длина					
Largo total					
Gesamtlänge					
					6200 mm ; 20,34 ft
Pull-up					
Tiro-spinta					
Traction					
Маск. тяговое усилие					
Tiro					
Vorschubkraft					
					40 kN ; 8992 lbs opt 50 kN ; 11240 lbs
CLAMPS					
Morsa- Mors-тиски- Mordaza					
Clamping diameter					
Diametro bloccaggio					
Diamètre blocage					
диаметр захвата тисков					
Diametro bloque					
Durchmesser Sperre					
					40 - 219 mm ; opt 324 1,57 - 8,62 in ; opt 12,75
Clamping force					
Forza chiusura					
Force fermeture					
усилие зажима					
Fuerza cierre					
Schließkraft					
					140 kN ; 31400 lbs
Break-out torque					
Coppia svitamento					
Couple deserrage					
момент развинчивания					
Par desenroscado					
Anzugsmoment					
					1900 daNm ; 14 lbft
WEIGHT 4500 - 5700 kg;					
9900 - 12500 lbs					
Peso- Poids- Bec- Gewicht					



Rotary heads - Testa rotazione - Tête rotation - вращатель - Cabeza rotacion - Rotationskopf

Rotary type 46 - 4V (floating shaft)- (opt.percussion hammer 1300bpm)												
(version)	(A)			(B)			(C)			(D)		
SPEED	daNm	lb ft	RPM	daNm	lb ft	RPM	daNm	lb ft	RPM	daNm	lb ft	RPM
1°	616	4546	59	803	5926	46	1010	7545	35	400	2952	90
2°	308	2273	118	401	2959	90	505	3727	70	200	1476	180
3°	157	1159	230	205	1513	176	258	1904	140	100	738	350
4°	78	576	460	102	753	352	129	952	280	52	384	700



Rotary type 43 - 4V (floating shaft)									
(version)	(A)		(B)		(C)		(D)		
SPEED	daNm (lb ft)	RPM	daNm (lb ft)	RPM	daNm (lb ft)	RPM	daNm (lb ft)	RPM	
1°	414 (3055)	80	501 (3697)	67	568 (4192)	58	620 (4576)	53	
2°	323 (2384)	88	410 (3026)	81	422 (3114)	78	438 (3232)	76	
3°	128 (945)	262	138 (1018)	240	205 (1513)	162	256 (1889)	130	
4°	37 (273)	875	47 (347)	709	59 (435)	567	75 (554)	444	
(version)	(E)		(F)		(H)				
SPEED	daNm (lb ft)	RPM	daNm (lb ft)	RPM	daNm (lb ft)	RPM			
1°	742 (5476)	45	836 (6170)	40	573 (4226)	135			
2°	456 (3365)	72	550 (4059)	60	455 (3356)	175			
3°	380 (2804)	87	474 (3498)	70	200 (1475)	405			
4°	94 (694)	354	188 (1387)	176	79 (582)	590			



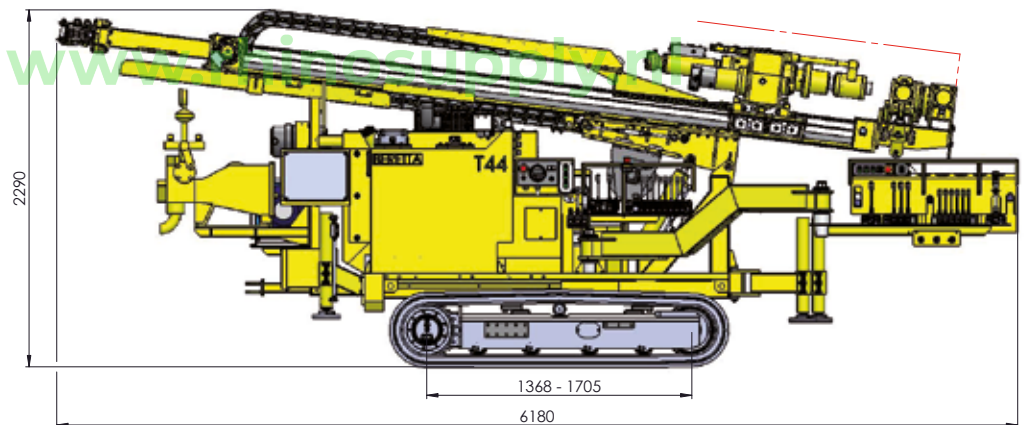
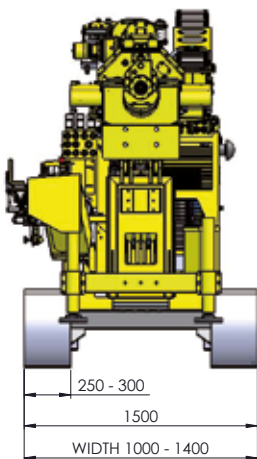
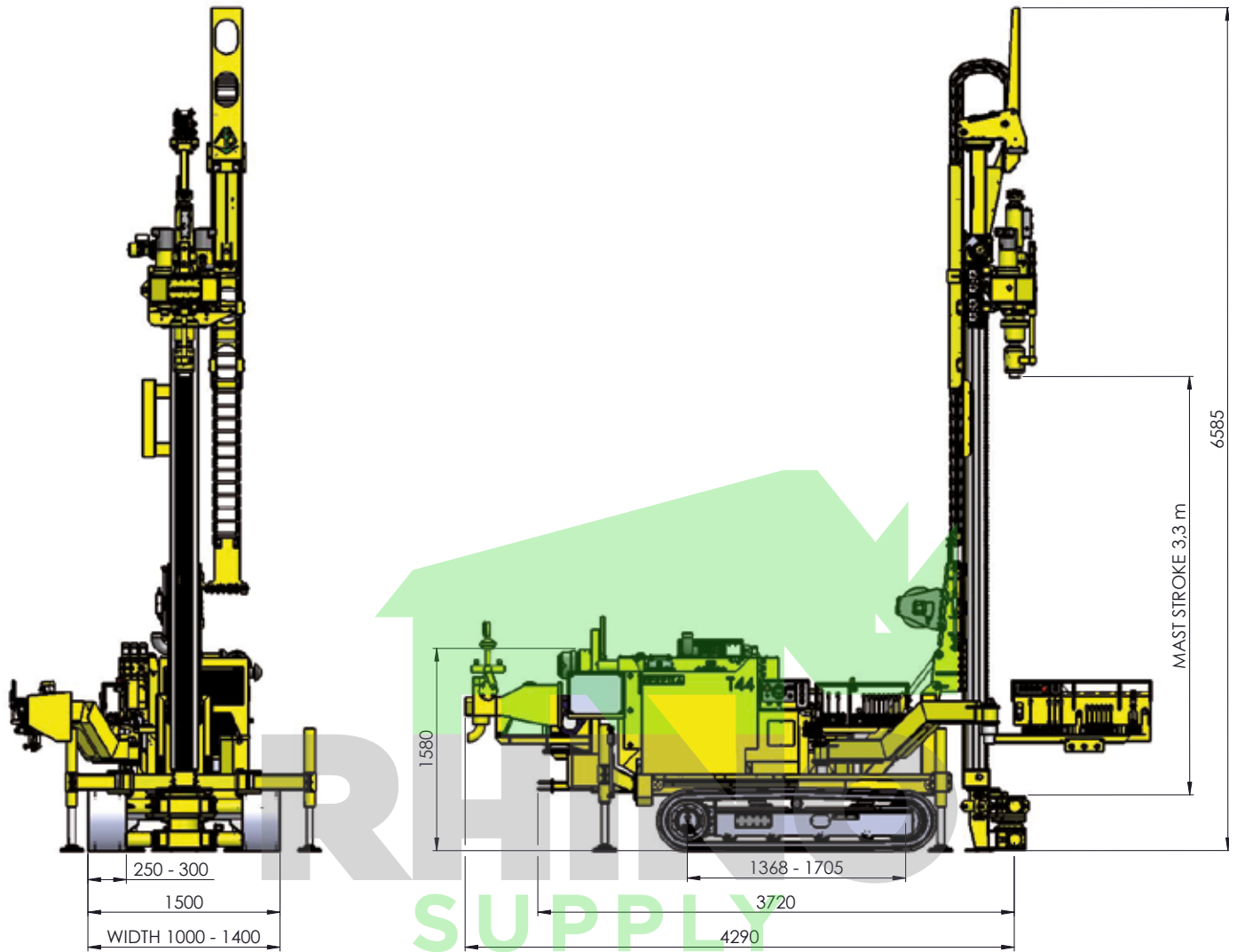
OPTIONAL

Optional	Opzioni	Options	Опции	Opcionales	Extras
Hydraulic winch	Argano idraulico	Treuil hydr.	лебедка	Cabrestante	Seilwinde
Breaking clamp	Morsa svitatrice	Mors dévissage	Отвинчивающая тиски	Doble prensa	Doppelspannschelle
Top hammer	Martello idraulico	Marteau hydr.	пневмоударника	Martillo hidráulico	Top hammer
SPT	SPT automatico	Pénétrömètre SPT	пенетромтр СПТ	SPT penetrometro	SPT
Foam pump	Pompa schiumogeno	Pompe à mousse	инжекционный	Bomba scarotatrice	Bohrpumpe
Water pump	Pompa Acqua	Pompe à eau	Водяной насос	Bomba agua	Wasserpumpe
Lubrificator DTH	Oliatore DTH	Graisseur DTH	масленка пневмоударника	Lubricador en linea	Schmiervorrichtung
Casing extractor	Casing extractor	Casing extractor	Casing extractor	Casing extractor	Casing extractor



T44

Dimensions - Dimensioni - Dimensions- размеры - Dimensiones - Größe



BERETTA migliora costantemente i suoi prodotti riservandosi il diritto di apportare qualsiasi modifica senza preavviso nè responsabilità
BERETTA continuously improves its products reserving the right to modify data without advance notice decling any responsibility