

T43

Classic

T43-R

Radio

RHINOSUPPLY

SUPPLY

www.rhinosupply.nl



BERETTA®

HYDRAULIC DRILLING RIGS



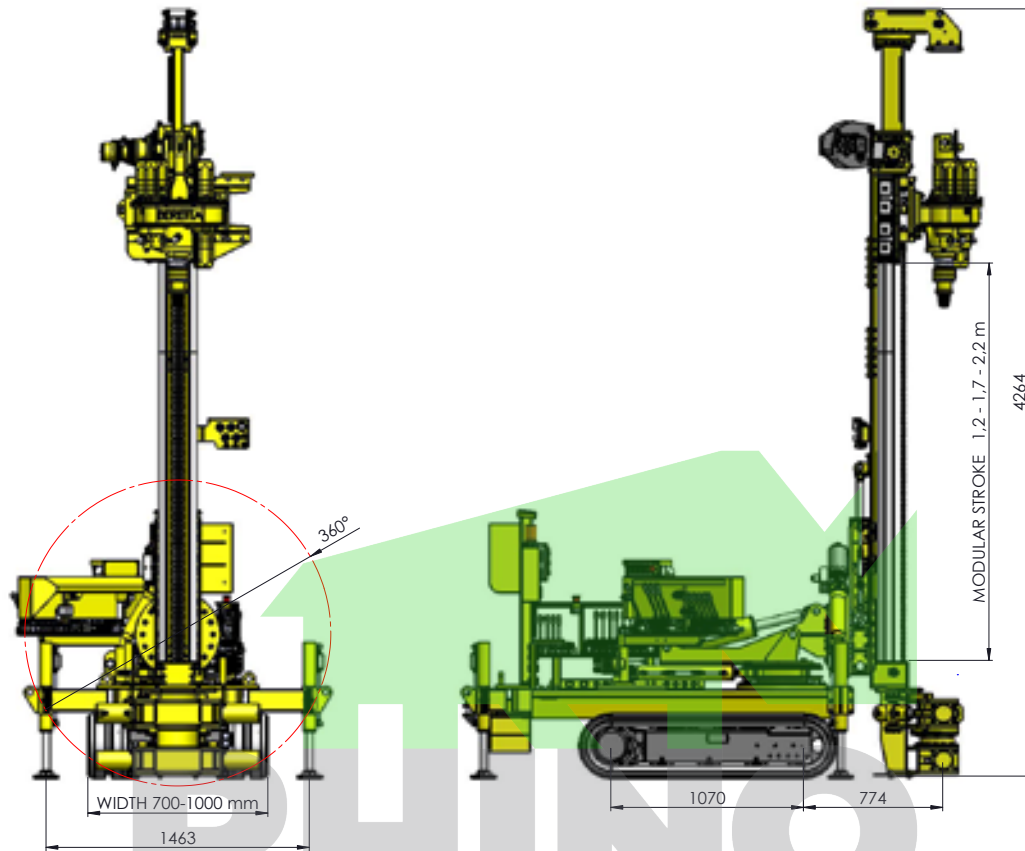
POWER PACK Unità potenza- Unités puissance- питания- Unidad potencia- Leistungseinheit	
Diesel engine Motore Diesel Moteur Diesel Дизельный двигатель Motor Diesel Dieselmotor	Deutz - Stage V Cat - Stage V
Engine power Potenza motore Puissance moteur мощность двигателя Potencia motor Motorleistung	55 kW - 75 HP
Oil tank Sebatoio olio Réservoir d'huile масляный бак Tanque aceite Öltank	200 l ; 53 gal
Fuel tank Serbatoio diesel Réservoir a carburant Топливный бак Dépósito de combustible Treibstofftank	50 l ; 13 gal
UNDERCARRIAGE Sottocarro- Chenilles- гусеницы- Orugas- Raupenwagen	
Width Larghezza Largeur ширина Anchura Breite	700 - 1000 mm ; 2,29 - 3,28 ft
Wheel base Passo cingolo Empattement Колесная база Distancia de rueda Radstand	1070 mm ; 3,5 ft
Shoes width Larghezza pattini Larghezza patins Ширина обуви Zapatos anchos Schuhbreite	230 mm ; 9,05 in
Max gradeability Pressione suolo Pression au sol давление на грунт Presion suelo Bodendruck	35%
Max speed Velocità max. Vitesse max. Макс. скорость Velocidad max. Max. Geschwindigkeit	1,5 km/h ; 0,90 mph

MAST - Mat- Мачта- Mastil	
Feed stroke Corsa utile Course utile ход вращателя Carrera Vorschublänge	1200 mm ; 3,9 ft 1700 mm ; 5,5 ft 2200 mm ; 7,2 ft
Total length Lunghezza totale Longueur totale Общая длина Largo total Gesamtlänge	2153 mm ; 7,06 ft 2621 mm ; 8,59 ft 3121 mm ; 10,23 ft 4264 mm ; 13,98 ft
Pull-up Tiro-spinta Traction Маск. тяговое усилие Tiro Vorschubkraft	40 kN ; 8992 lbs
CLAMPS Morsa- Mors-тиски- Mordaza	
Clamping diameter Diametro bloccaggio Diamètre blocage диаметр захвата тисков Diametro bloque Durchmesser Sperre	40 - 168 mm ; 1,6 - 6,6 in 40 - 219 mm ; 1,6 - 8,6 in
Clamping force Forza chiusura Force fermeture усилие зажима Fuerza cierre Schließkraft	65 kN ; 14600 lbs 140 kN ; 31400 lbs
Break-out torque Coppia svitamento Couple deserrage момент развинчивания Par desenroscado Anzugsmoment	1500 daNm ; 11,06 lbft 1900 daNm ; 14 lbft
WEIGHT (2600 - 2900 Kg) + (1400 - 1950 Kg) (5700 - 6500 lbs) + (3000 - 4300 lbs) Peso- Poids- Bec- Gewicht	

English	Italiano	Français	русский	Español	Deutsch
---------	----------	----------	---------	---------	---------

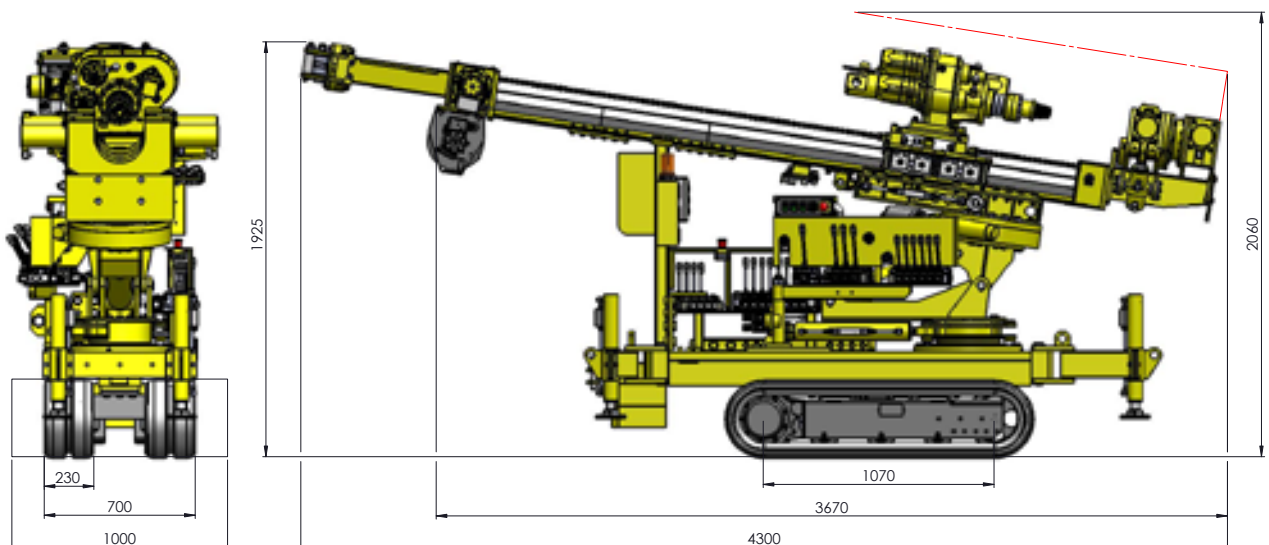


Overall

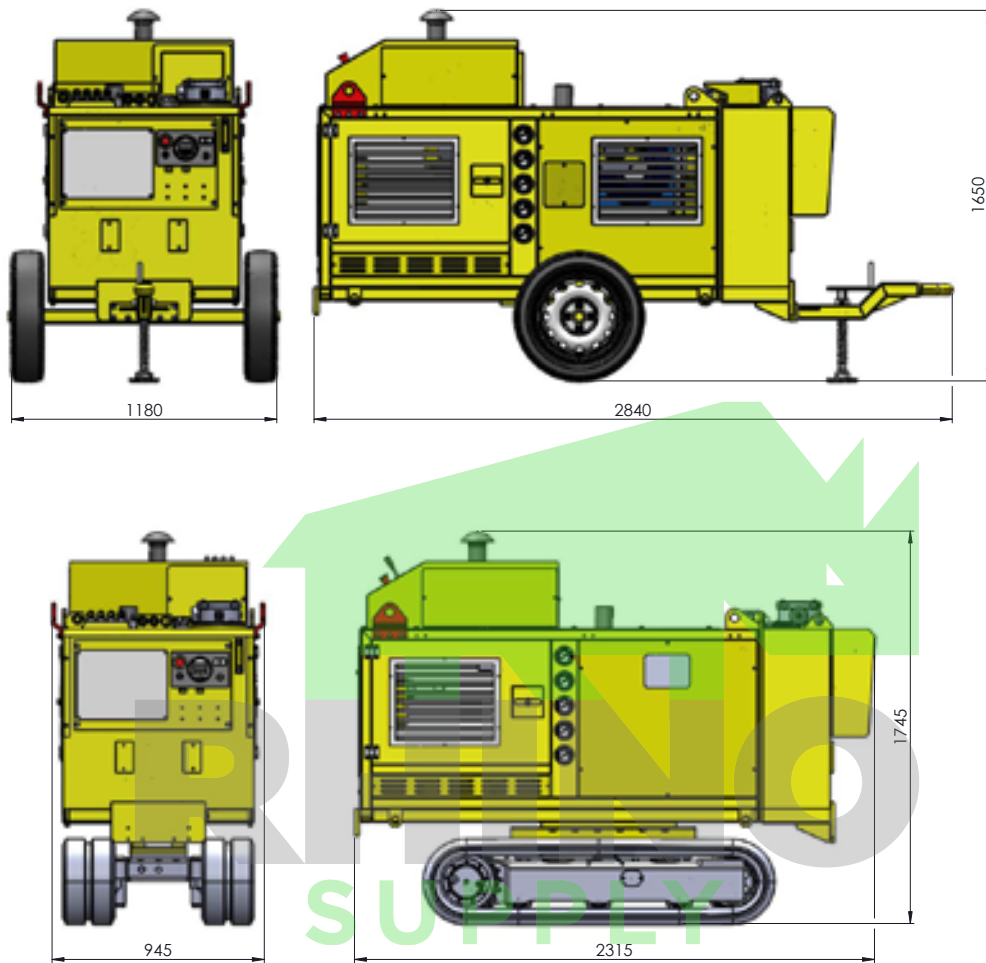


RHINO
SUPPLY
Transport

www.rhinosupply.nl

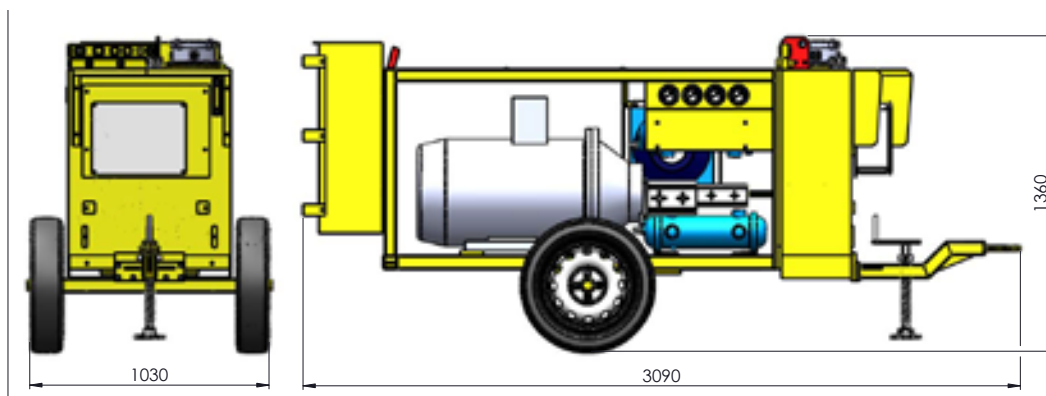


Power pack - Diesel

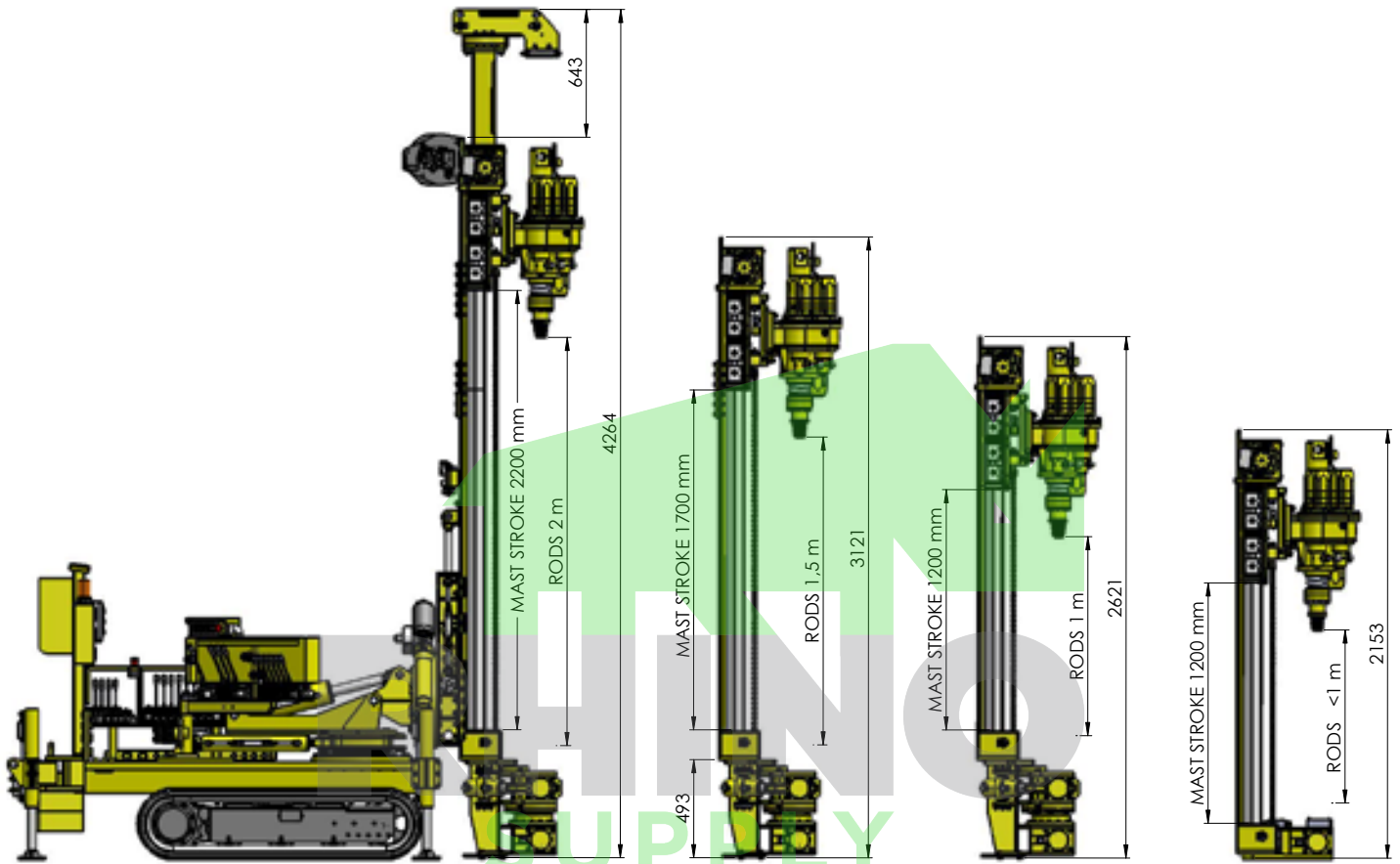


www.rhinosupply.nl

Power pack - Electric

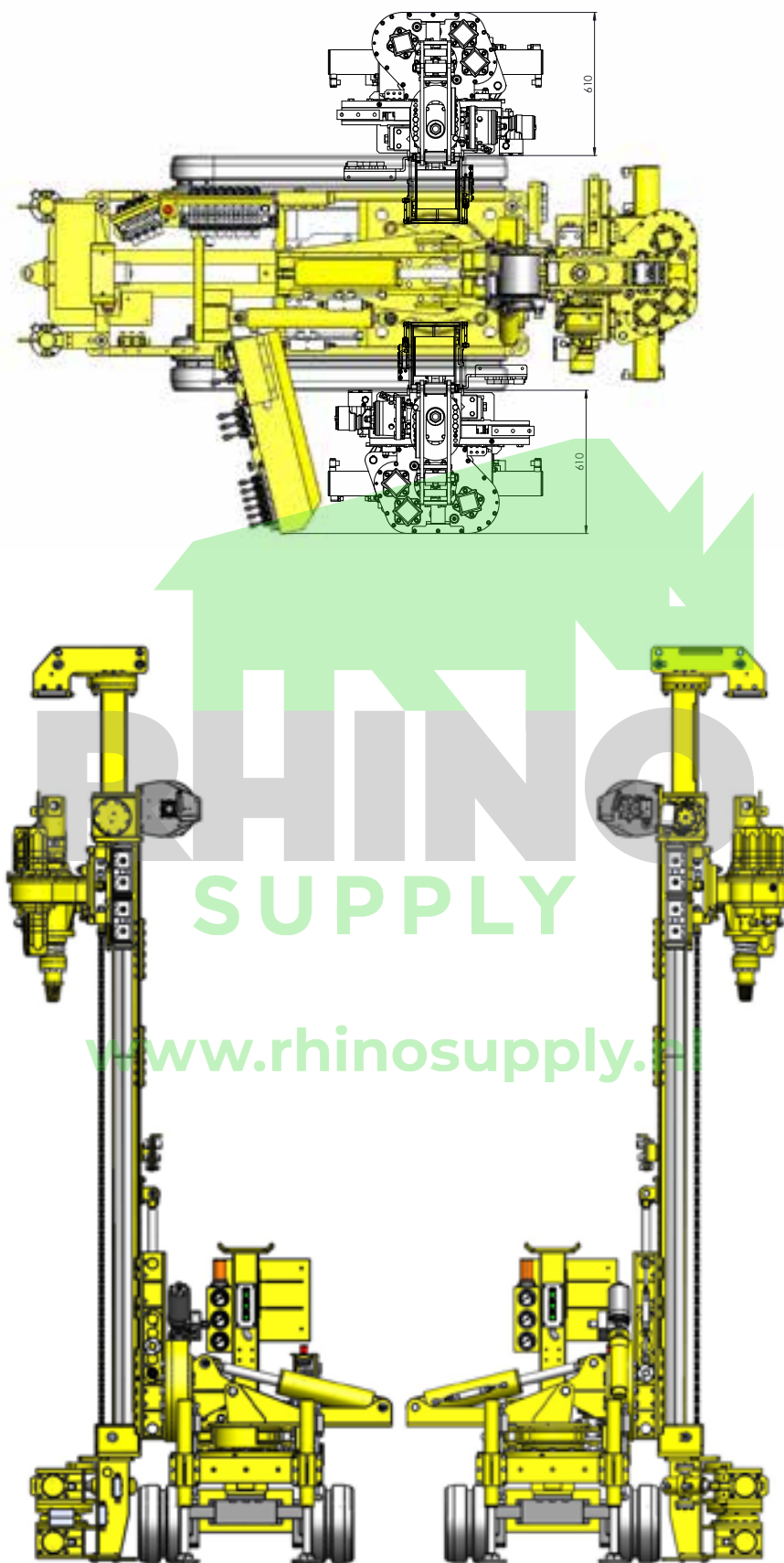


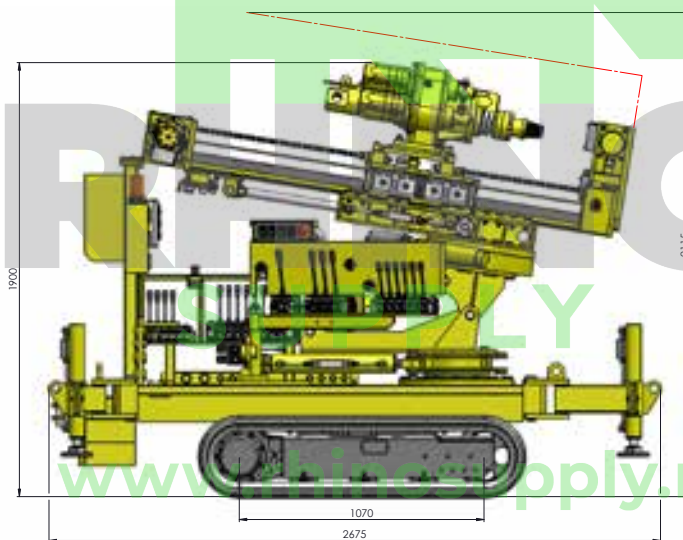
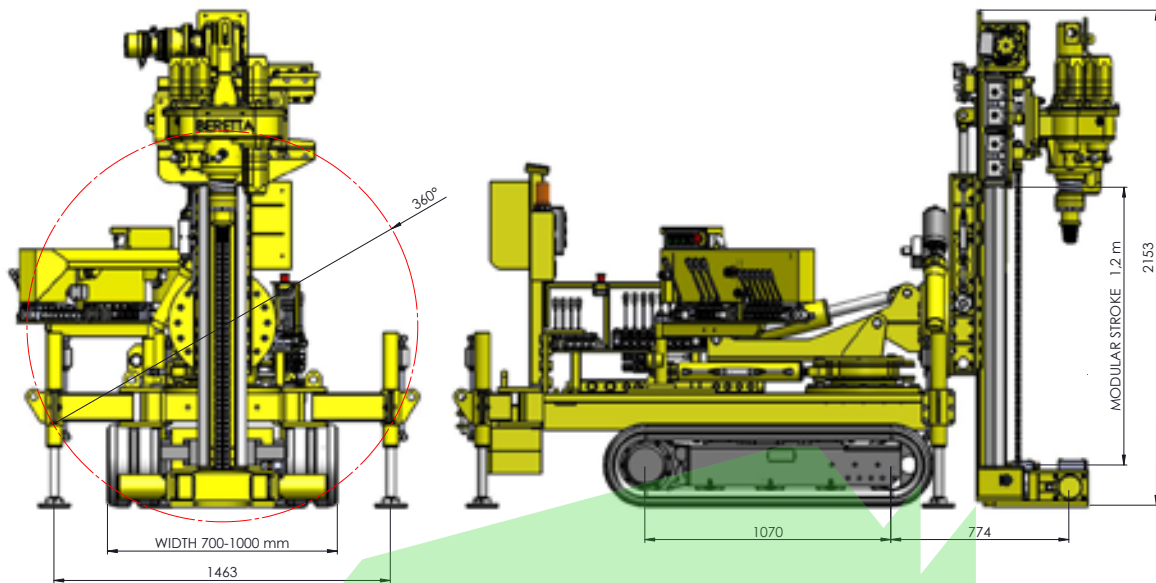
Modular Mast Configurations



www.rhinosupply.nl







Rotary type 43 - 2V						
(version)	(A)		(B)		(C)	
SPEED	daNm (lb ft)	RPM	daNm (lb ft)	RPM	daNm (lb ft)	RPM
1°	950 (7011)	30	800 (5904)	40	620 (4576)	50
2°	475 (3506)	60	400 (2952)	80	310 (2288)	100
(version)	(D)		(E)		(F)	
SPEED	daNm (lb ft)	RPM	daNm (lb ft)	RPM	daNm (lb ft)	RPM
1°	500 (3690)	65	400 (2952)	82	310 (2288)	100
2°	250 (1845)	130	200 (1476)	164	155 (1144)	200



Rotary type 43 - 4V (floating shaft)						
(version)	(A)		(B)		(C)	
SPEED	daNm (lb ft)	RPM	daNm (lb ft)	RPM	daNm (lb ft)	RPM
1°	414 (3055)	80	501 (3697)	67	568 (4192)	58
2°	323 (2384)	88	410 (3026)	81	422 (3114)	78
3°	128 (945)	262	138 (1018)	240	205 (1513)	162
4°	37 (273)	875	47 (347)	709	59 (435)	567
(version)	(D)		(E)		(F)	
SPEED	daNm (lb ft)	RPM	daNm (lb ft)	RPM	daNm (lb ft)	RPM
1°	620 (4576)	53	742 (5476)	45	836 (6170)	40
2°	438 (3232)	76	456 (3365)	72	550 (4059)	60
3°	256 (1889)	130	380 (2804)	87	474 (3498)	70
4°	75 (554)	444	94 (694)	354	188 (1387)	176

OPTIONAL

Optional	Opzioni	Options	Опции	Opcionales	Extras
Hydraulic winch	Argano idraulico	Treuil hydr.	лебедка	Cabrestante	Seilwinde
Breaking clamp	Morsa svitatrice	Mors dévissage	Отвинчивая тиски	Doble prensa	Doppelspannschelle
Top hammer	Martello idraulico	Marteau hydr.	пневмоударника	Martillo hidráulico	Top hammer
Foam pump	Pompa schiumogeno	Pompe à mousse	инжекционный	Bomba scarotatrice	Bohrpumpe
Water pump	Pompa Acqua	Pompe à eau	Водяной насос	Bomba agua	Wasserpumpe
Lubrificator DTH	Oliatore DTH	Graisseur DTH	масленка пневмоударника	Lubricador en linea	Schmiervorrichtung

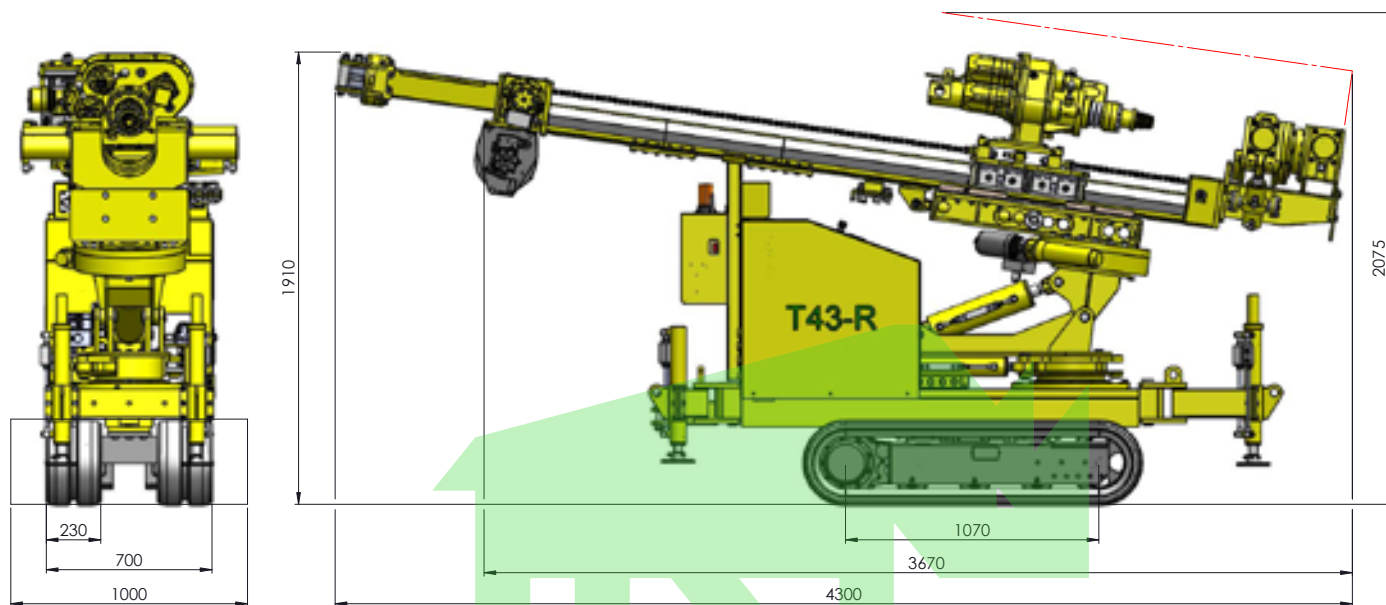


T43-R

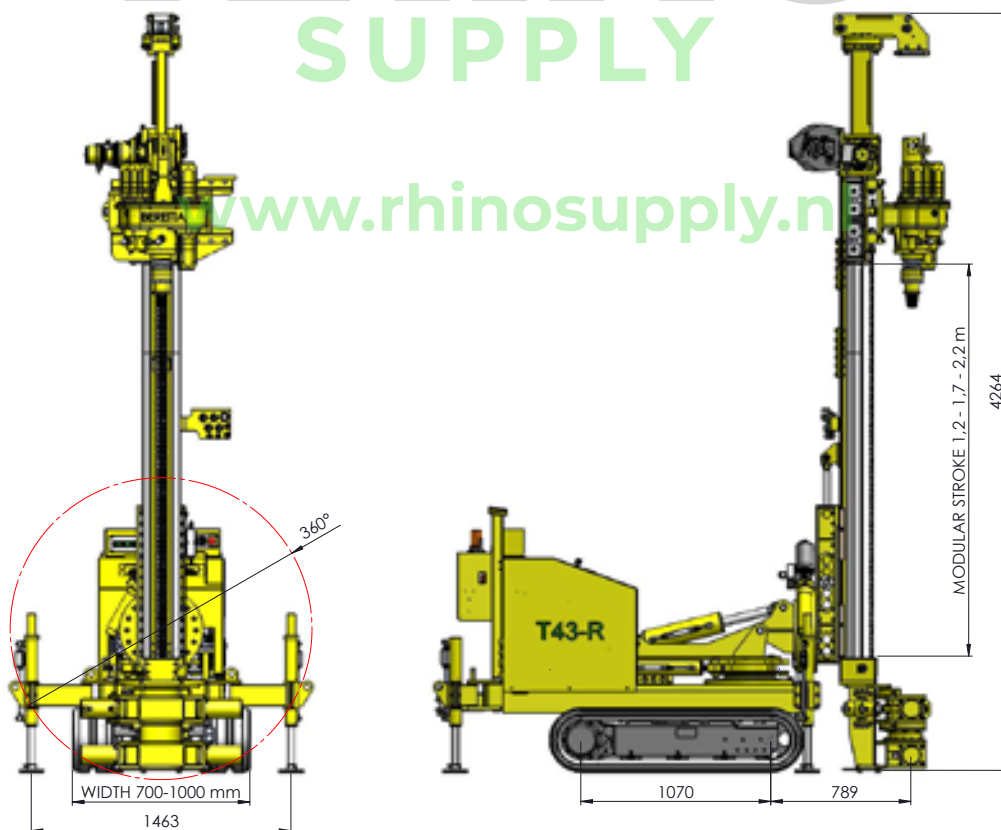
Radio Version



Overall



Transport



T43-R

T43



BERETTA migliora costantemente i suoi prodotti riservandosi il diritto di apportare qualsiasi modifica senza preavviso nè responsabilità
BERETTA continuously improves its products reservong the ringt to modify data without advance notice decling any responsibility

 **BERETTA**[®]
HYDRAULIC DRILLING RIGS

Address: Via Parini, 24 - 20842 Besana Brianza (Mb) - ITALY
Tel. +39.0362.995380

www.berettaalfredo.it - info@berettaalfredo.it