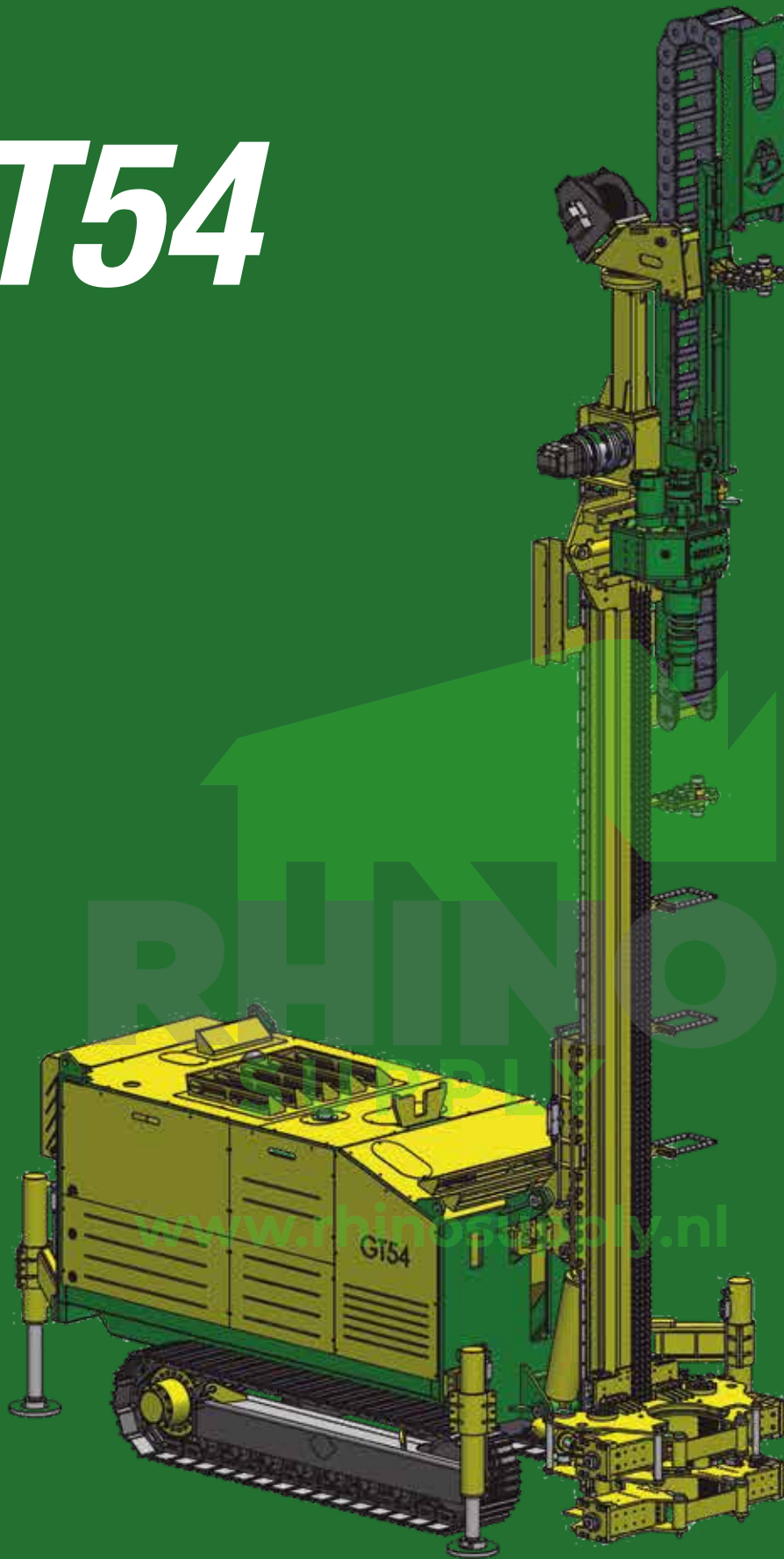


# GT54



**BERETTA**<sup>®</sup>  
HYDRAULIC DRILLING RIGS

<b>POWER PACK</b> Unità potenza- Unitès puissance- питания- Unidad potencia- Leistungseinheit	
<b>Diesel engine</b> Motore Diesel Moteur Diesel Дизельный двигатель Motor Diesel Dieselmotor	CAT - Stage V
<b>Engine power</b> Potenza motore Puissance moteur мощность двигателя Potencia motor Motorleistung	100 kW - 135 HP
<b>Oil tank</b> Sebatoio olio Réservoir d'huile масляный бак Tanque aceite Öltank	300 l ; 80 gal
<b>Fuel tank</b> Serbatoio diesel Réservoir a carburant Топливный бак Dépósito de combustible Treibstofftank	130 l ; 34 gal
<b>UNDERCARRIAGE</b> Sottocarro- Chenilles- гусеницы- Orugas- Raupenwagen	
<b>Width</b> Larghezza Largeur ширина Anchura Breite	1600 mm - 5,25 ft opt 2100 mm - 6,9 ft
<b>Wheel base</b> Passo cingolo Empattement Колесная база Distancia de rueda Radstand	1910mm ; 6,26 ft
<b>Shoes width</b> Larghezza pattini Larghezza patins Ширина обуви Zapatos anchos Schuhbreite	300 - 400 mm ; 11,81 - 15,75 in
<b>Max gradeability</b> Pressione suolo Pression au sol давление на грунт Presion suelo Bodendruck	35%
<b>Max speed</b> Velocità max. Vitesse max. Макс. скорость Velocidad max. Max. Geschwindigkeit	1,5 km/h ; 0,90 mph

English	Italiano	Français	русский	Español	Deutsch
<b>MAST</b> - Mat- Мачта- Mastil					
<b>Feed stroke</b> Corsa utile Course utile ход вращателя Carrera Vorschublänge		3500 mm ; 11,5 ft			
<b>Total length</b> Lunghezza totale Longueur totale Общая длина Largo total Gesamtlänge		6560 mm ; 22 ft			
<b>Pull-up</b> Tiro-spinta Traction Маск. тяговое усилие Tiro Vorschubkraft		65 kN ; 14612 lbs opt 90 kN ; 20200 lbs			
<b>CLAMPS</b> Morsa- Морс-тиски- Mordaza					
<b>Clamping diameter</b> Diametro bloccaggio Diamètre blocage диаметр захвата тисков Diametro bloque Durchmesser Sperre		40 - 335 mm ; 1,57 - 13,18 in			
<b>Clamping force</b> Forza chiusura Force fermeture усилие зажима Fuerza cierre Schließkraft		140 kN ; 314000 lbs opt 160 kN ; 360000 lbs			
<b>Break-out torque</b> Coppia svitamento Couple deserrage момент развинчивания Par desenroscado Anzugsmoment		1900 daNm ; 14 lbft opt 2600 daNm ; 19,17 lbft			
<b>WEIGHT 8000 - 9500 kg;</b> <b>17600 - 21000 lbs</b> Peso- Poids- Вес- Gewicht					

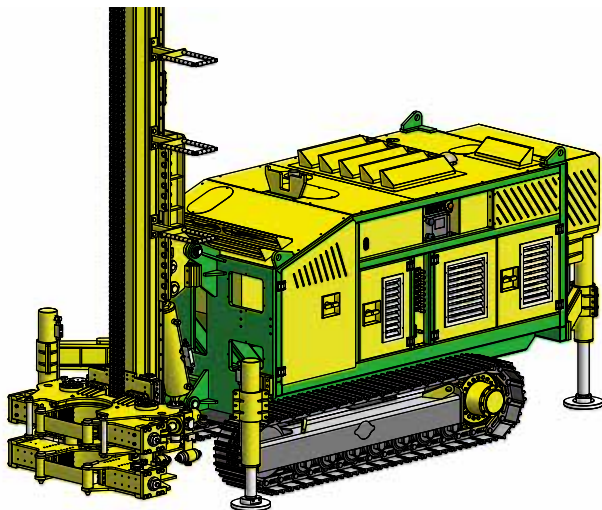
**Rotary heads - Testa rotazione - Tête rotation - вращатель - Cabeza rotacion - Rotationskopf**

Rotary type 55 - 4V (floating shaft)				
(version)	( A )		( B )	
SPEED	daNm (lb ft)	RPM	daNm (lb ft)	RPM
1°	1750 (12908)	32	1248 (9204)	45
2°	1170 (8630)	43	832 (6136)	68
3°	875 (6454)	65	624 (4602)	91
4°	585 (4315)	98	416 (3068)	137
Rotary type 55 - 4V (high torque)				
(version)	( C )		( D )	
SPEED	daNm (lb ft)	RPM	daNm (lb ft)	RPM
1°	2280 (16285)	24	1733 (12781)	31
2°	1662 (12258)	32	1344 (9912)	40
3°	1104 (8142)	43	866 (6387)	62
4°	831 (6129)	65	672 (4956)	80
Rotary type 57 - 4V (floating shaft)				
(version)	( A )		( B )	
SPEED	daNm (lb ft)	RPM	daNm (lb ft)	RPM
1°	1742 (12848)	25	1445 (10657)	30
2°	868 (6402)	50	722 (5325)	60
3°	391 (2883)	113	361 (2662)	137
4°	195 (1438)	226	180 (1327)	274



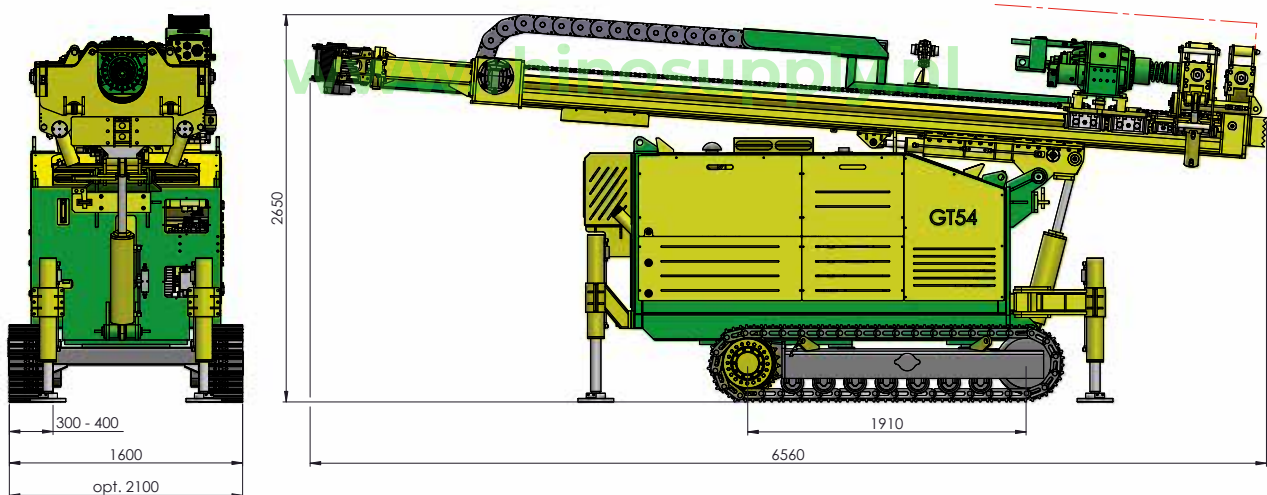
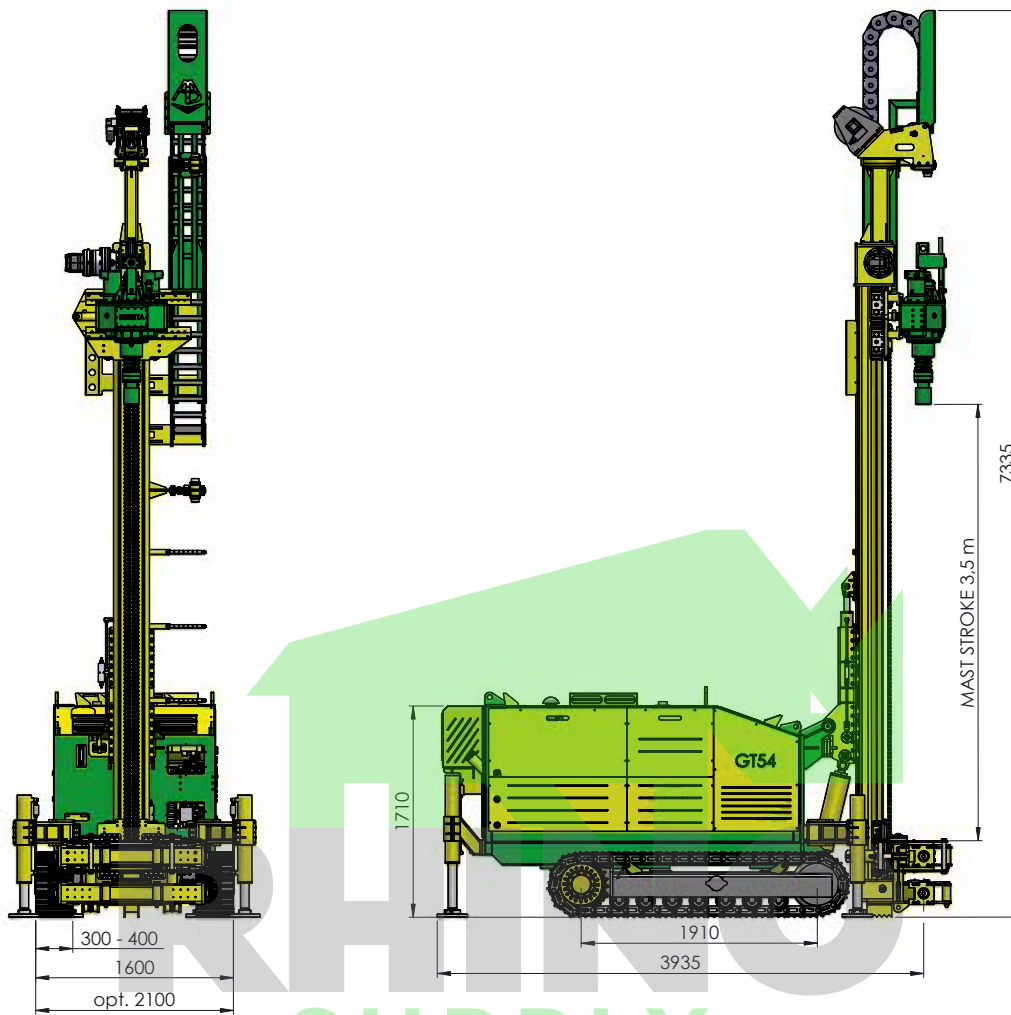
**OPTIONAL**

Optional	Opzioni	Options	Опции	Opcionales	Extras
Top hammer	Martello idraulico	Marteau hydr.	пневмоударника	Martillo hidráulico	Top hammer
Foam pump	Pompa schiumogeno	Pompe à mousse	инжекционный	Bomba scarotatrice	Bohrpumpe
Water pump	Pompa Acqua	Pompe à eau	Водяной насос	Bomba agua	Wasserpumpe
Lubricator DTH	Oliatore DTH	Graisseur DTH	масленка пневмоударника	Lubricador en linea	Schmiervorrichtung
Casing Extractor	Casing Extractor	Casing Extractor	Casing Extractor	Casing Extractor	Casing Extractor
SPT	SPT	SPT	SPT	SPT	SPT
Wireline winch	Wireline winch	Wireline Treuil	Wireline лебедка	Wireline	Wireline



# GT54

Dimensions - Dimensioni - Dimensions - размеры - Dimensiones - Größe



BERETTA migliora costantemente i suoi prodotti riservandosi il diritto di apportare qualsiasi modifica senza preavviso nè responsabilità  
BERETTA continuously improves its products reserving the right to modify data without advance notice decling any responsibility