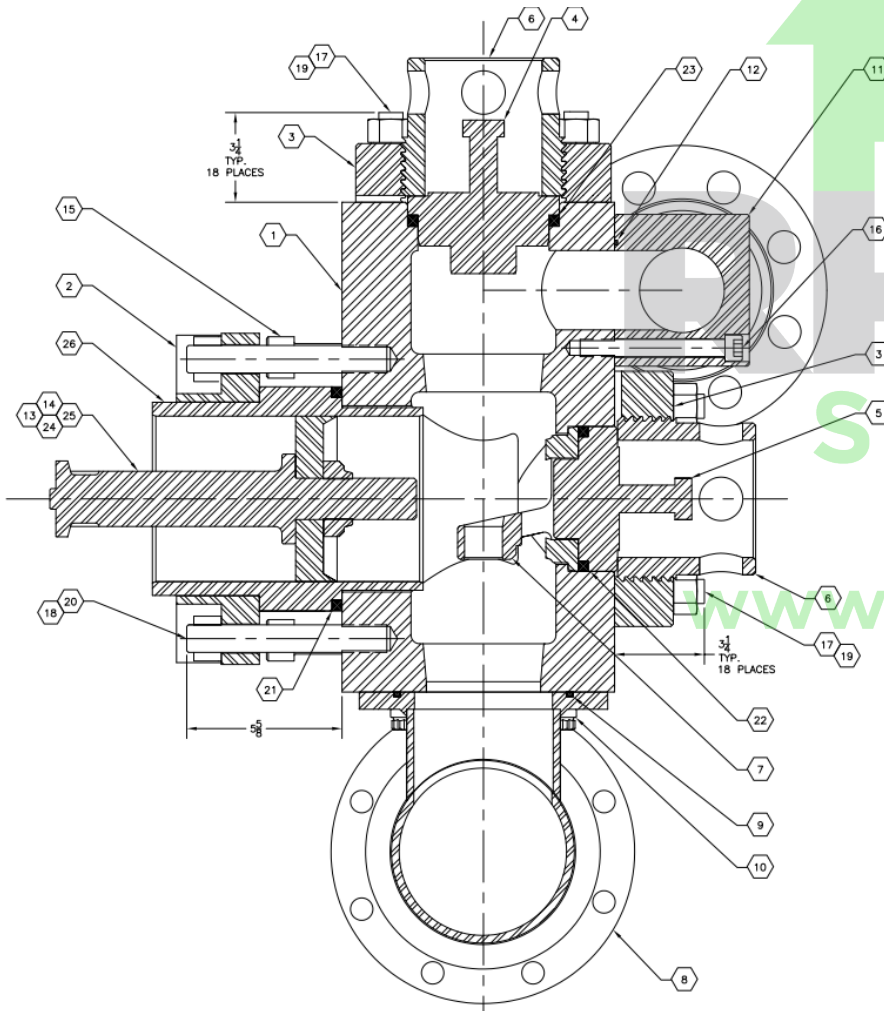


Rhino Supply

Ellis Williams EW-446 High Pressure Pump parts list

"FLUID END (D155535)"



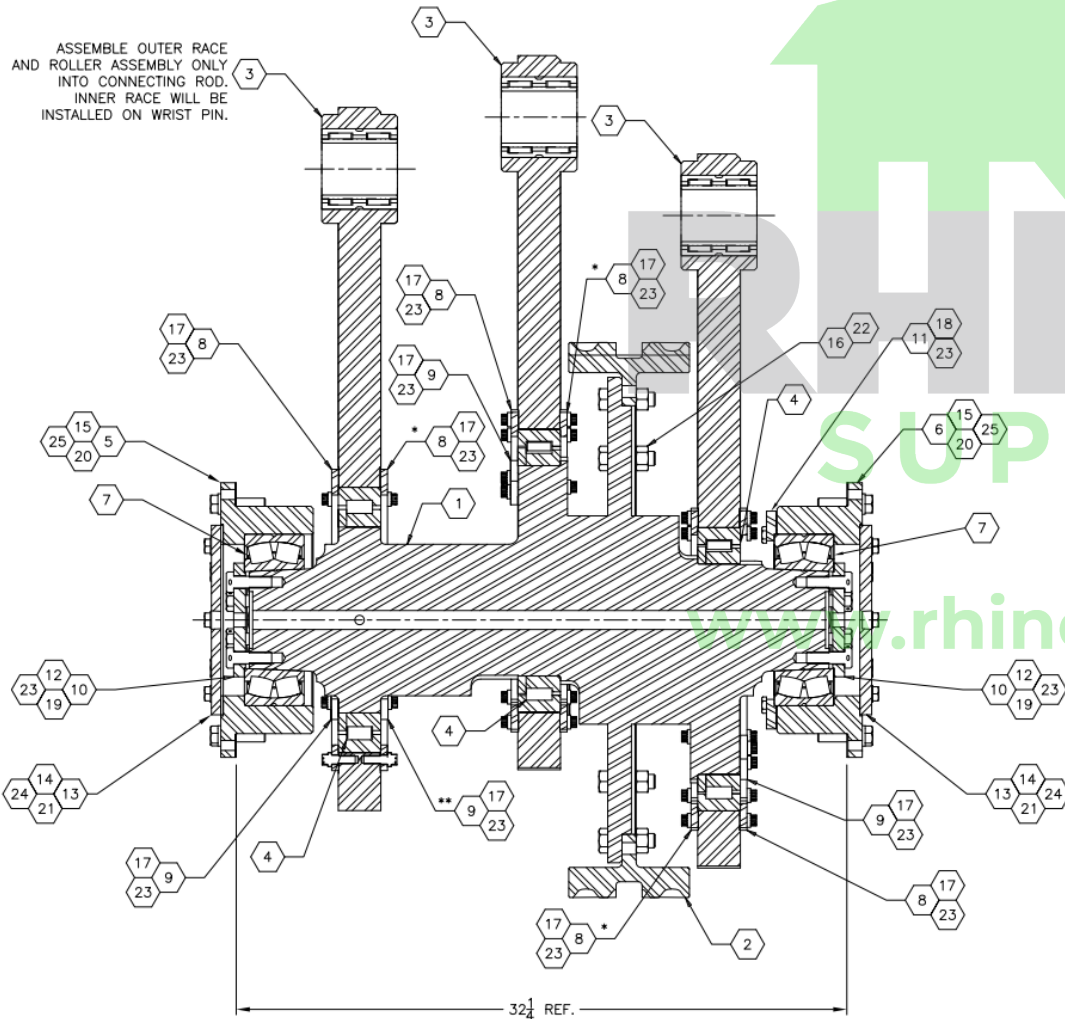
Item no.	Rhino part no.		Qty	Original #
1	112800	Module-Fluid	3	B155430
2	113000	Flange, Liner Lock	3	B155398
3	112600	Flange, Valve Cover	6	B155342
4	112400	Cover, Valve Pot	3	B155323
5	112500	Cover, Valve Pot Lower	3	B155309
6	112700	Lock, Valve Cover	6	B155343
7	108500	Guide, Lower Valve	3	C155617
8	114400	Manifold, Suction	1	C155326
9	107100	O-Ring	3	EO102/EO169
10	115600	Capscrew	12	400-1908
11	113500	Manifold, Discharge	1	C155497
12	107200	O-Ring	3	EO182
13	107600	Piston rod	3	B155372
14	107700	Lock Nut 1.5"	3	A155375
15	108600	Capscrew	12	EC160
16	117700	Capscrew	12	EC163
17a	115200	Stud 7/8" x 4-1/2"	36	A155332-full
17b	114700	Stud 7/8" x 4 1/2"	36	A155332-half
18	115205	Stud 0.875" 8NC 7.25 1.75 B7	18	ES404
19	114600	Nut 7/8" 9 NC A194-2H	36	EN112
20	108700	Nut 1" 8 NC A194-2H	18	943-3576
21a	109200	Gasket, Liner original	3	A156183
21b	107000	O-Ring	3	
22	107900	Gasket, Cylinder Head	3	B155345
23	107800	Seal, Valve Cover	3	B155344
<i>Piston options:</i>				
24a	150100	Rhino/Mission Piston Complete 5"	3	EP159
24b	150800	Rhino/Mission Piston Complete 6"	3	EP117
25a	150200	Rhino/Mission Piston Rubber 5"	3	EP165
25b	151600	Rhino/Mission Piston Rubber 6"	3	EP115
<i>Liner options: (other sizes on request)</i>				
26a	106900	Liner 6". Chrome	3	EL236-mod
26b	113301	Liner 6". Chrome (Rhino Style)	3	EL-236-mod
26c	111200	Liner 6". Chrome (USA style)	3	EL-236-mod
27 (ns)	108300	Valve Seat	6	EV149
28 (ns)	113200	Valve Incl. Insert	6	EV150
29 (ns)	108400	Valve Spring	6	EV151
30 (ns)	112300	Insert, Valve	6	EV139



Rhino Supply

Ellis Williams EW-446 High Pressure Pump parts list

“Crankshaft assembly (D155200)”



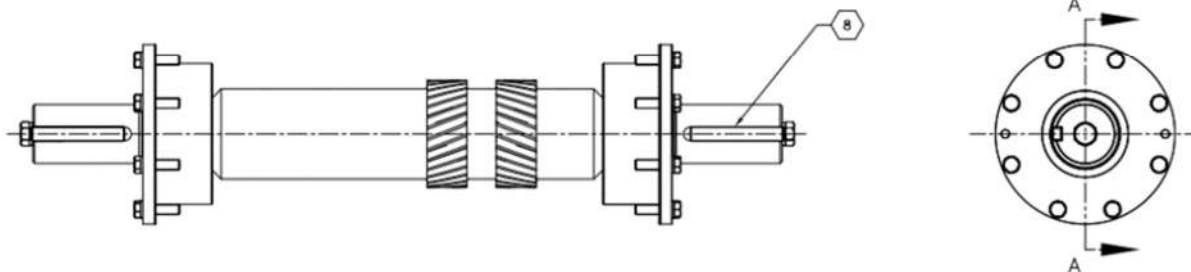
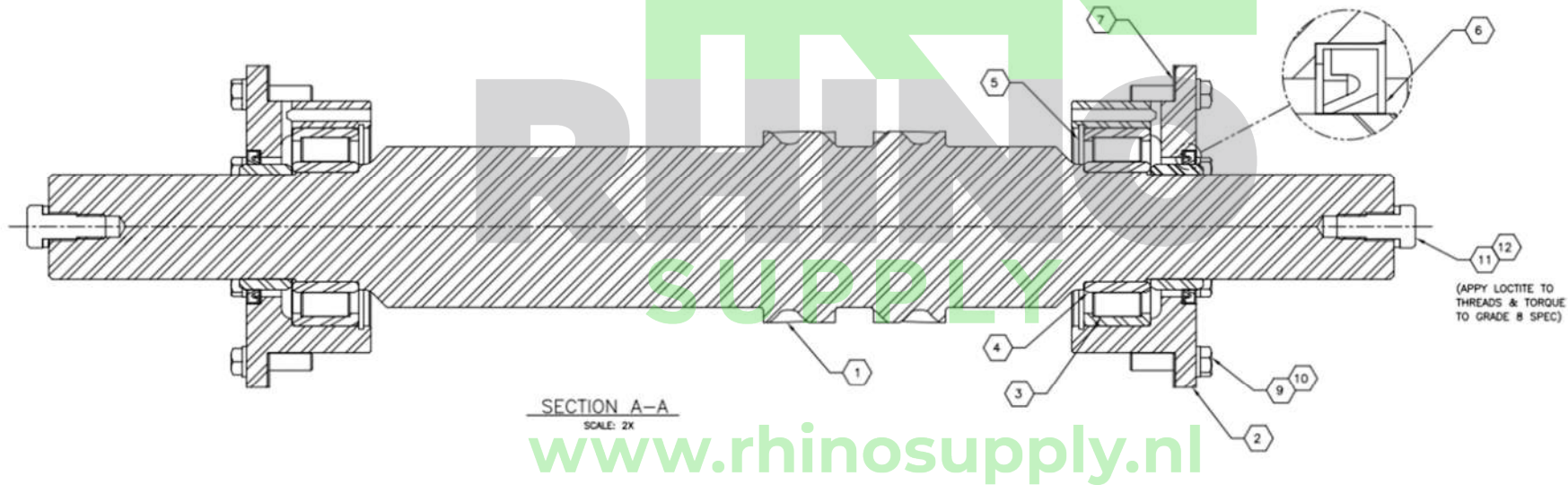
Item no.	Rhino part no.	Description	Qty	Original #
1	116500	Crankshaft Machined	1	D155530
2	116700	Main-Gear Double Helix	1	D155010
3	116600	Connecting rod	3	D155620
4	110300	Bearing Eccentric	3	EB166
5	110305	Carrier-Main Bearing LH	1	C155528
6	110306	Carrier-Main Bearing RH	1	C155527
7	110307	Bearing Spherical Roller	2	EB170
8	116800	Retainer Bearing Outer ECC	12	B155223
9	116900	Retainer Bearing Inner ECC	12	A155224
10	109799	Retainer-Main Bearing, INNER	2	A155526
11	109800	Retainer-Main Bearing, OUTER	1	B155428
12	109000	Shim set main bearing	2	A155525
13	109005	Cover Main Bearing	2	B155141
14	108900	Gasket Main Bearing Cover	2	B155144
15	117000	Gasket Main Bearing Carrier	2	B155252
16	117005	Bolt HX .750 2.500 NC G8	12	002-1646
17	117006	CSCR FH .500 1.250 NC G8 DHFT	96	411-6072
18	117007	Bolt HX .500 1.250 NC G8 DH	6	EB401
19	117008	Bolt HX .625 2.000 NC G8 DH	12	413-8276
20	117009	Bolt HX .625 2.500 NC G8	16	002-1632
21	117010	Bolt HX .500 1.250 NC G8 FT	12	400-9752
22	117011	Nut Lock Nyl .750 NC	12	401-6018
23	117012	Safety Wire .041 SS 211/LB	48	EW109
24	117013	Washer flat .500 Seal	12	EW106
25	117014	Washer Lock SPR .625 1.08 .16	16	002-1541

Rhino Supply

Ellis Williams EW-446 High Pressure Pump parts list

"Pinion Shaft (D155001)"

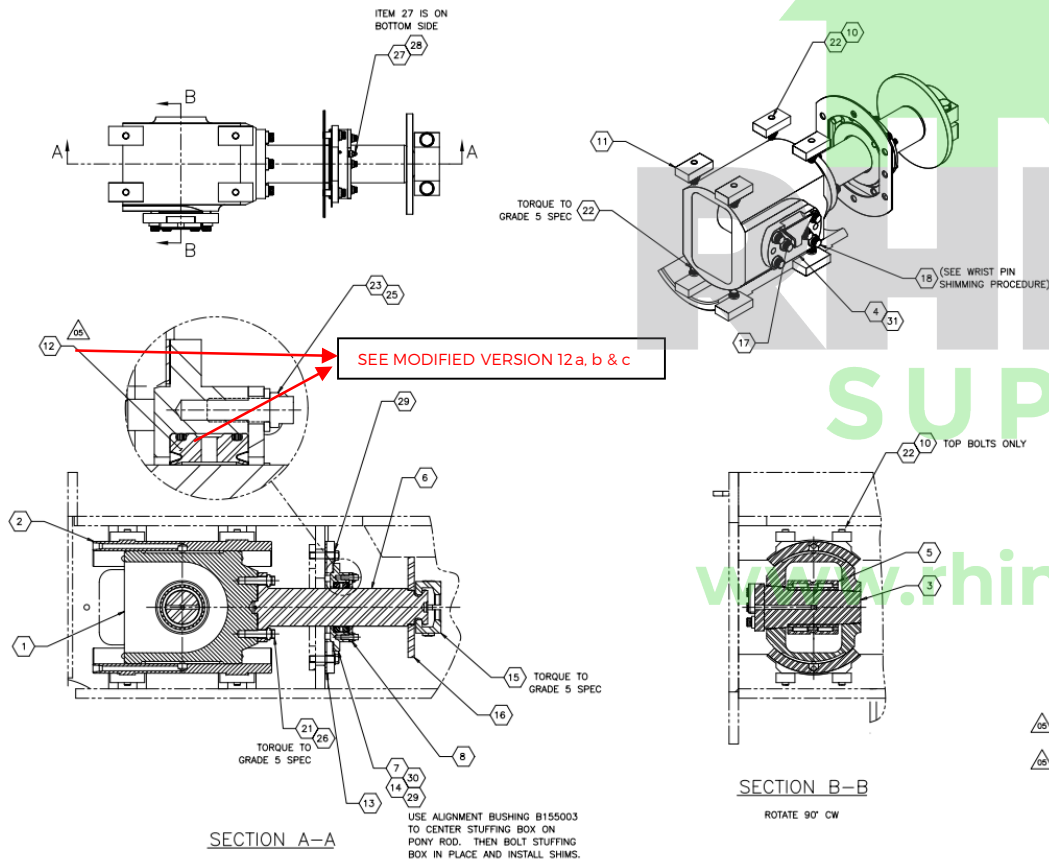
Item no.	Rhino part no.	Description	Qty	Original #
1	109050	Shaft-Pinion Double Helix, PMP 3.0P 19T	1	D155011
2	111700	Carrier-Pinion Bearing	2	C155229
3	110100	Bearing-Cylindrical Roller	2	EB104
4	111500	Race seal pinion W-446	2	B155232
5	109900	Ring retain snap 7.115	2	ES108
6	111400	Oil seal	2	EO101
7	109100	Gasket, Pinion bearing carrier	2	B155242
8	111800	Key pinion	2	B155236
9	117009	Bolt HX .625 2.500 NC G8	16	002-1632
10	117014	Washer lock SPR .625 1.08 .16	16	002-1541
11	117015	Washer lock SPR .875 1.46 .22	1	002-1543
12	117016	Bolt HX .875 2.250 NC G8 PLFT	1	002-1660



Rhino Supply

Ellis Williams EW-446 High Pressure Pump parts list

"Crosshead assembly (D155400)"

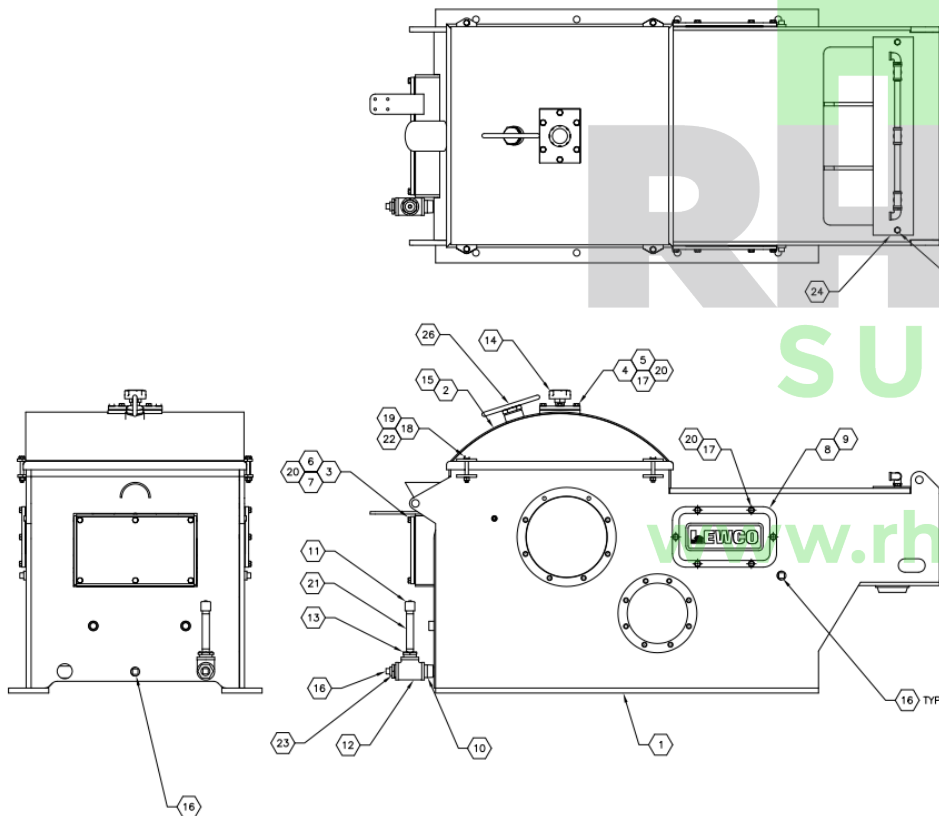


Item no.	Rhino part no.	Description	Qty	Original #
1	116300	Crosshead (X-Head)	3	D155007
2	116400	Guide, Crosshead	6	C155006
3	110000	Pin, Wrist	3	B155219
4	110005	Retainer, Wrist pin	3	B155222
5	110400	Bearing, wrist pin	3	EB103
6	107300	Pushrod / Pony rod Chrome	3	B155226
7	117600	Box, Stuffing	3	B155460
8	112200	Retainer, Pony Rod Seals	3	B155235
9a	112099	Ring Lantern (original)	3	B155461
9b	112100	Ring Lantern (modified)	3	B155461
11	116410	Nut Plate Crosshead Guide	24	A155234
12	107500	Seal, pushrod (original)	6	EO162
12a	119000	Seal Assembly	3	EO162 mod
12b	118800	Seal	3	
12c	118900	Seal	9	
13	109300	Gasket, Diaphragm Plate	3	B155253
14	109500	Gasket, Stuffing Box	3	B155243
15	107400	Clamp, Piston/ Pushrod	3	B155227
16	109400	Baffle Disc	3	B155244
17	115810	CSCR 12 PT. .625 NC 1.50 G8 DR	6	A155238
18	115805	CSCR 12 PT. .625 NC 2.00 G8 DR	12	A155249
21	115810	CSCR 12 PT. .625 NC 1.75 G8 DR	12	415 1056
22	116105	CSCR 12 PT. .500 NC 1.500 NC G8	24	400-1870
23	116105	CSCR 12 PT. .375 NC 1.000 NC G8 FT	18	400-1834
25	120600	Washer Lock 0.375"	18	075-3123
26	117012	Safety Wire	AR	EW109
27	117017	Grease fitting relief valve	3	EG131
28	117018	Grease fitting, .125 NPT 45dgr	3	O18 4186
29	117013	Washer flat .500 seal	36	EW106
30	116000	Capscrew	12	400-1869
31	117019	Shim set wrist pin	6	ES166

Rhino Supply

Ellis Williams EW-446 High Pressure Pump parts list

"Frame assembly (D155110)"



Item no.	Rhino part no.	Description	Qty	Original #
1	106510	Frame, Machined	1	D155370
2	106511	Cover, Crankcase	1	C155136
3	117010	Bolt HX .500 1.250 NC G8	6	400-9752
4	106512	Cover, inspection Plate	1	B155165
5	118000	Gasket, inspection cover	1	B155166
6	106513	Cover, lube pump HSG	1	B155119
7	118100	Gasket, Cover lube pump HSG	1	B155167
8	106514	Cover, Crosshead	2	C155129
9	118200	Gasket, crosshead cover	2	B155142
10	106515	Pipe 1-1/2" Nipple close	1	O27-5204
11	106516	Dip stick	1	A155142
12	106517	TEE 1-1/2"	1	201-3592
13	106518	Pipe 1-1/2" MPT X 3/4 FPT Bushing	1	401-3783
14	110500	Cap-Breather	1	EB107
15	118500	Gasket, Crankcase cover	1	EG104
16	106519	Magnetic plug 1" NPT	4	EP403
17	106520	Bolt HX .500 1.500 NC G8	18	400-9753
18	106521	Bolt HX .500 3.500 NC G8	4	078-8967
19	106522	Nut HX .500 NC G8 PL	6	080-8489
20	117013	Washer-stato seal	24	EW106
21	116523	Pipe .750 SCH 40 X 6.81 threaded	1	A155463
22	106524	Lock washer 1/2	6	080-1181
23	106525	Pipe BSG 1-1/2 MPT - 1 FPT	1	O27-5210
24	106526	Structure-Baffle liner wash	1	C155465
25	106527	Bolt HX .500 1.750 NC	2	082-4790
26	106528	Plug STR 2 NPT	1	A150607

www.rhinosupply.nl