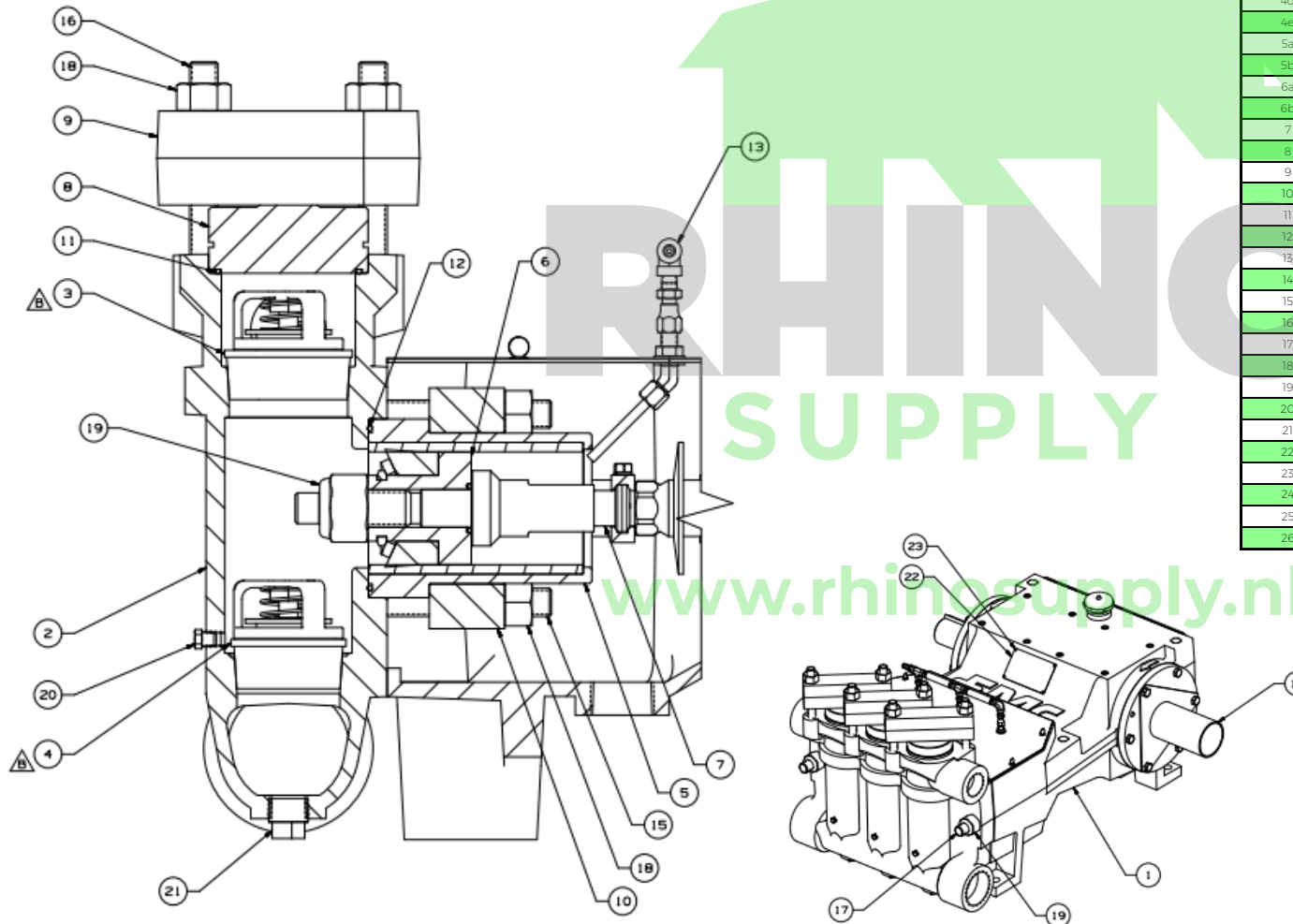


## Rhino Supply

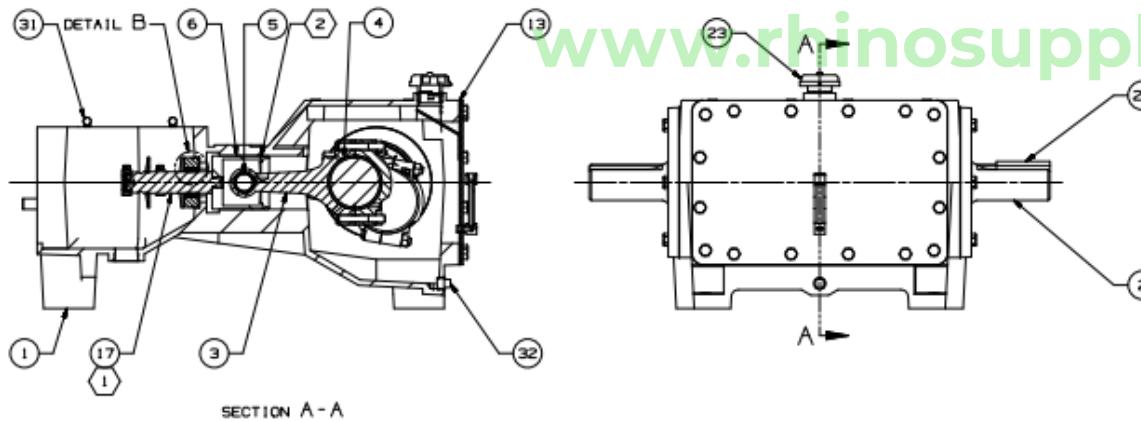
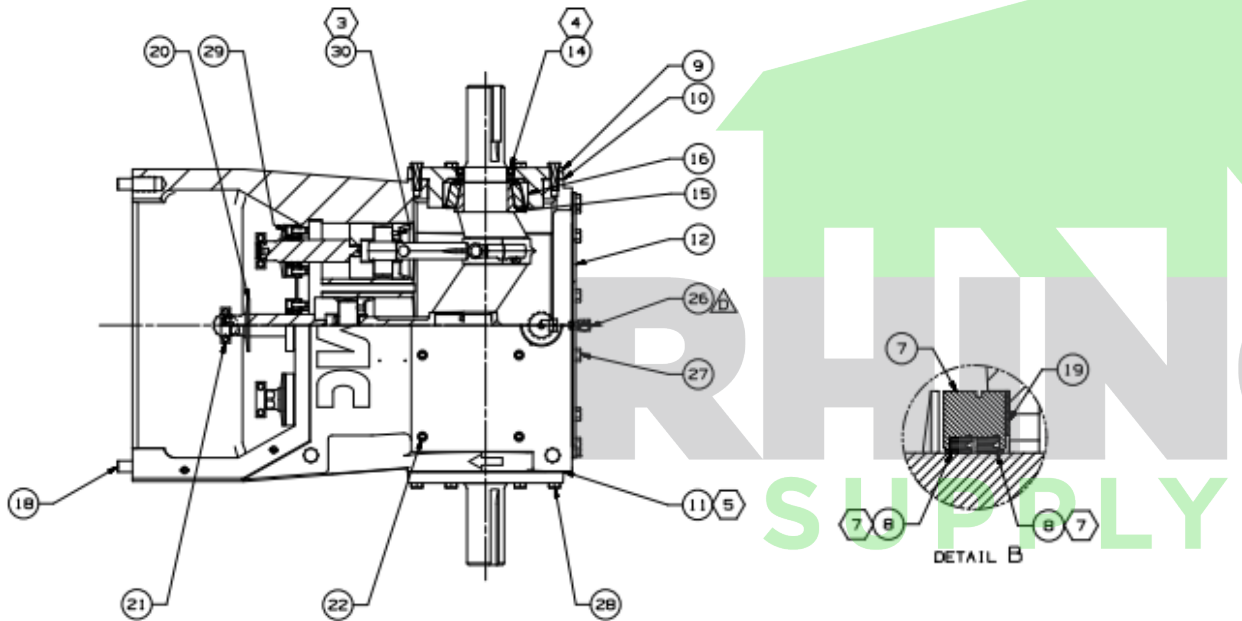
### FMC M1224 High Pressure Pump parts list



Item no.	Rhino part no.	Description	Qty.	Original #
1	182000	FMC M12 Power End Assembly DBL EXT. w/attaching components	1	3265542
2	181800	FMC M1224 Fluid End w/3" NPT x 2" NPT	1	P558019
3a	153107	FMC M12 Valve Assembly DISCHARGE	3	P538350
3b	153100	Rhino FMC M12 Valve Assembly DISCHARGE	3	
3c	154100	FMC M12 Valve Insert only Discharge	3	
3d	153700	FMC M12 Valve Cage Original Discharge	3	
3e	153900	Rhino Valve spring DISCHARGE (M12) stainless	3	
4a	153008	FMC M12 Valve Assembly SUCTION	3	P533509
4b	153000	Rhino FMC M12 Valve Assembly SUCTION	3	
4c	154000	FMC M12 Valve Insert only Suction	3	
4d	153600	FMC M12 Valve Cage Original Suction	3	
4e	153800	Rhino Valve spring SUCTION (M12) stainless	3	
5a	176000	FMC M12 liner 3" Ceramic	3	3269116
5b	180400 / 177400	Rhino FMC style M12 3" chromium plated liner	3	
6a	150300	Rhino/Mission Piston Complete 3" series A	3	
6b	151200	Rhino/Mission Piston Rubber 3" series A	3	P504834
7	175900	FMC M12 Piston Rod Y	3	3269110
8	176500	FMC M12 Valve Cover	3	5264826
9	179500	FMC M12 Valve Cover Clamp	3	5262885
10	190600	Rhino style FMC M12 3" liner retainer ring	3	
11	176400	FMC M12 O-Ring, Valve Cover	3	3268117
12	176200	FMC M12 O-ring, Liner	3	320315
13	182450	FMC M12 Cradle Cover w/Liner wash manifold	1	P508452
14	182400	FMC M12 Guard, Crankshaft	1	5263006
15	191305	FMC Stud 3/4-10 x 5.50 Long	12	3264865
16	191306	FMC Stud 3/4-10 x 6.25 Long	6	5262886
17	191005	FMC Stud 1-8 x 5.50 Long	2	P543208
18	182500	FMC Heavy Hex Nut 3/4-10UNC	18	P501760
19	176300	FMC Locking Nut 1-8 UNC	5	3269115
20	178800	FMC Pipe Plug 1/8-27 NPT Hex Head SST	3	P501267
21	178801	FMC Pipe Plug 3/4 NPT SQ Head	3	320071
22	-	Nameplate	1	5277980
23	-	Tapping screw	4	1187413
24	-	Caplug, Tapered	2	1177204
25	-	Caplug, Tapered	2	1120444
26	-	Operation & Maintenance Manual	1	5266236

## Rhino Supply

### FMC M1224 High Pressure Pump parts list



Item no.	Rhino part no.	Description	Qty.	Original #
1	166290	FMC M12 Power Frame	1	5262830
2	182200	FMC M12 Crankshaft, Double Extended	1	5262832
3	177500	FMC M12 Connecting Rod	3	5266814
4	177600	FMC M12 Rod Bearing, Half Shell	6	P506675
5	177800	FMC M12 Wrist Pin	3	P509820
6	177750	FMC M12 Crosshead	3	5262834
7	179150	FMC M12 Seal Holder, Pory Rod Seal	3	P502045
8	177200	FMC M12 Oil Seal, Plunger/Pushrod	6	P501999
9	178400	FMC M12 Bearing Housing	2	5262843
10	178200	FMC M12 Gasket, Bearing Housing	2	5262848
11	178300	FMC M12 Shim, bearing Housing	10	5262849
12	178599	FMC M12 Back Cover Weldment	1	5262839
13	178600	FMC M12 Gasket, Back Cover	1	5262847
14	178500	FMC M12 Oil Seal	2	5262844
15	178000	FMC M12 Bearing Cone	2	320313
16	178100	FMC Bearing Cup	2	320312
17	181500	FMC M12 Plunger Rod, Chrome plated w/Hex	3	5262835
18	166295	FMC M12 Pin, Dowel	2	1113543
19	179100	FMC M12 Gasket, Oil Seal Plunger Rod	3	5264602
20	179600	FMC M12 shield deflector	3	5262851
21	175800	FMC L16/M12 Pushrod Clamp Assembly	3	1252143
22	167420	FMC Caplug	8	1177197
23	169410	FMC Breather Assembly 1-1/4 NPT, Anti Splash Guard	1	A5054
24	191900	FMC Key, 5/8 square X 3-3/4	1	5271593
25	167421	FMC Caplug	1	1177199
26	182425	FMC M12 Liquid Level Gauge	1	P553142
27	167406	FMC Cap Screw	16	1106980
28	159800	FMC Cap Screw	12	1100064
29	167422	FMC Cap Screw	6	P502390
30	177900	FMC L09/L11/L16/M12 Set Screw	3	1103470
31	179300	FMC M12 Thumb Screw	4	320319
32	167409	FMC Pipe Plug	1	1187048
33	167411	FMC Pipe Plug	1	3269461

[www.rhinosupply.nl](http://www.rhinosupply.nl)