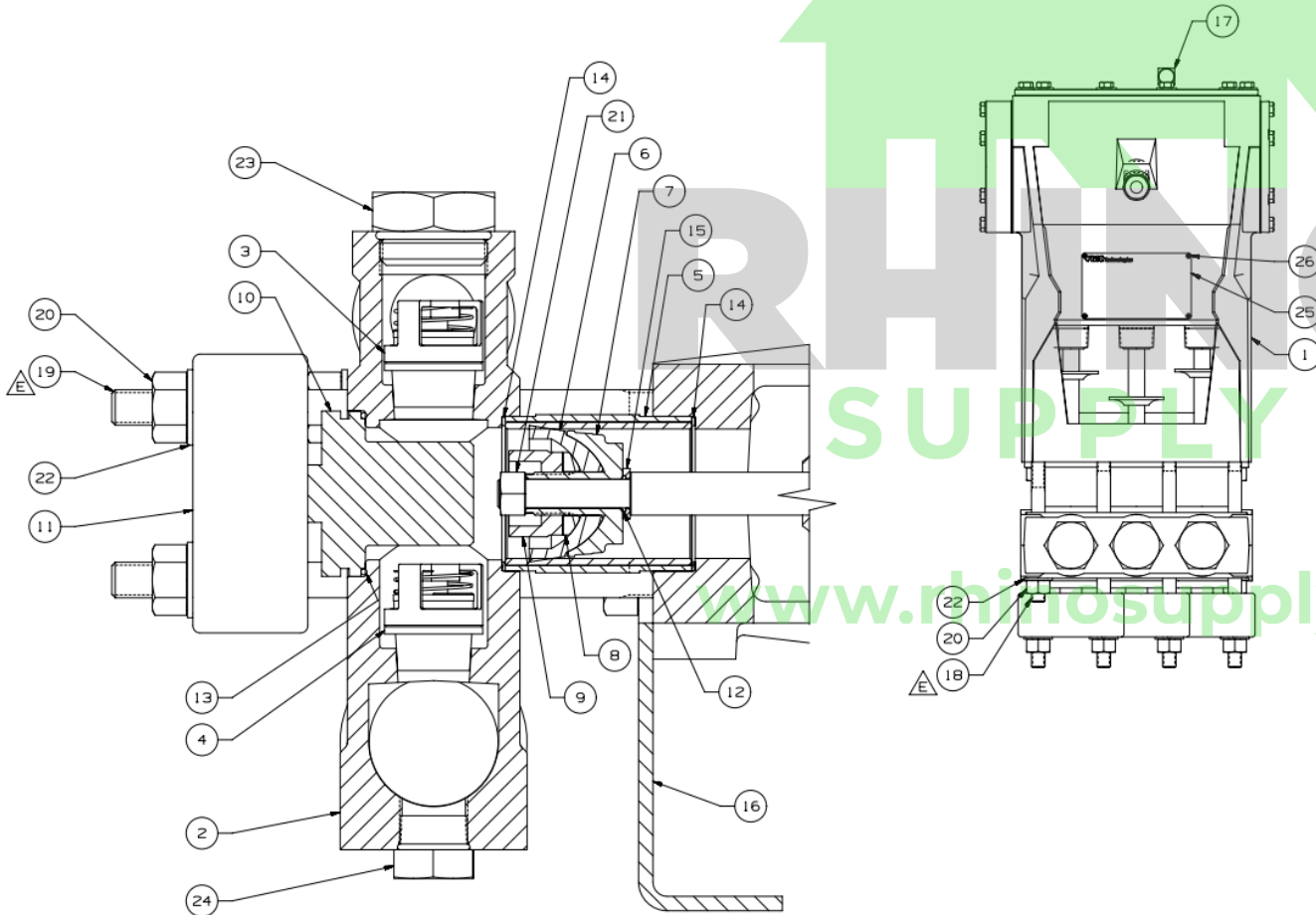


## Rhino Supply

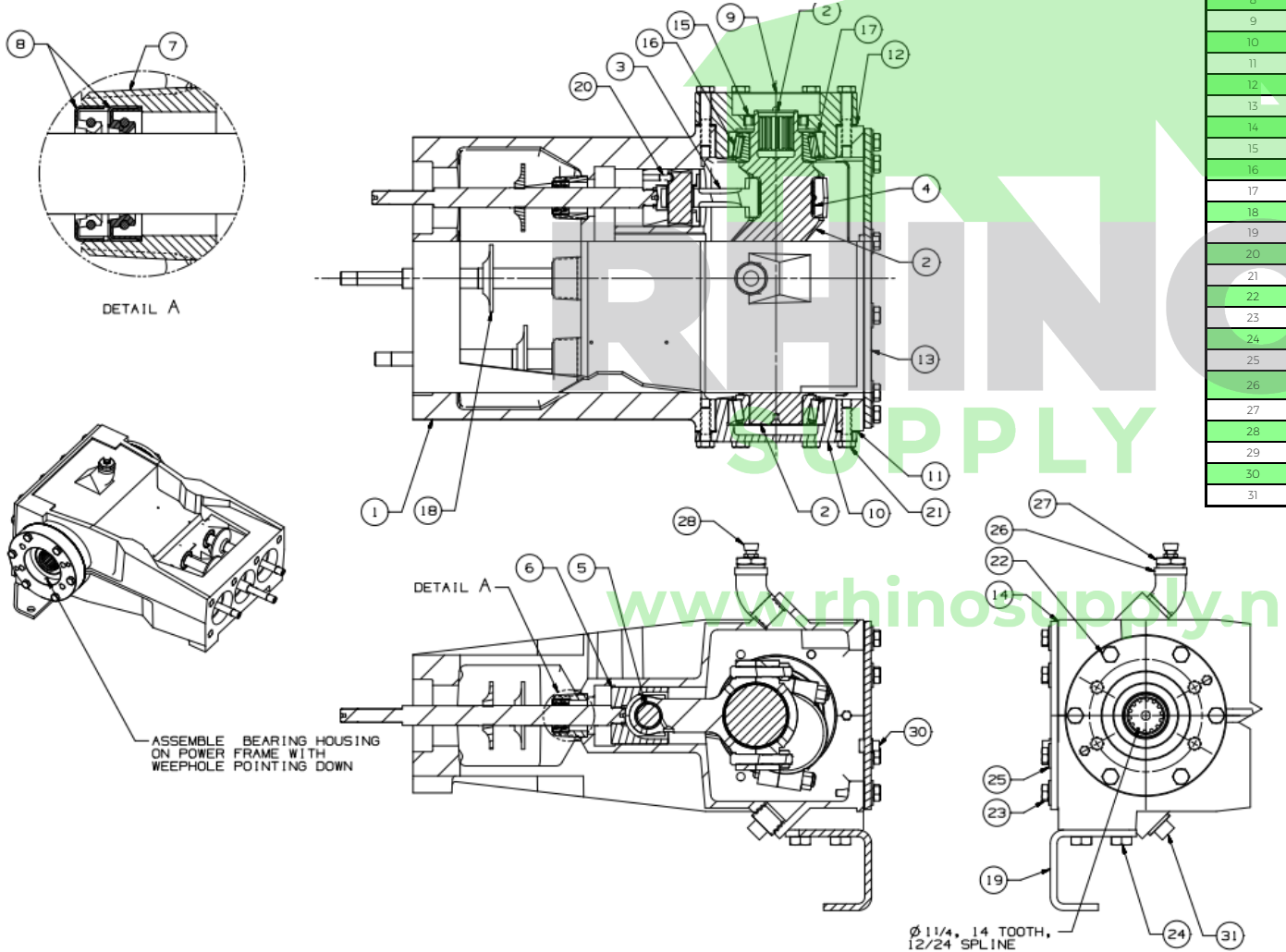
### FMC L0618 HV High Pressure Pump parts list



Item no.	Rhino part no.	Description	Qty.	Original #
1	165950	FMC L06 Power End Assembly	1	3268532
2	166000	FMC L06/L09 Fluid Cylinder, 2" NPT x 1-1/2" NPT DI	1	3268708
3	162300	FMC L06 Valve Assembly, Discharge	3	P533626
4	162400	FMC L06 Valve Assembly, Suction	3	P533621
3/4a	161900	FMC L06/L09 Valve Kit	1	P503042
5	169300	FMC L0918HD coated K-tech liner	3	P509088
5a	163300	FMC L0618 Liner Ceramic	3	1272060
5c	162100	FMC L06/L09 Gasket, Liner	3	1280024
6	161150	FMC L06/L09 Piston Cup (Gold)	3	P509003
6a	161100	FMC L06/L09 Packing Kit, Gold Cups	1	P537943
6b	161700	FMC L06/L09 Piston Cup (Black)	3	3267084
6c	161800	FMC L06/L09 Packing Kit, Black Cups	1	P503041
7	162700	FMC L06/L09 Piston Holder, Brass	3	8495
8	162900	FMC L06/L09 Washer	3	1207289
9	162500	FMC L06/L09 Plunger / Piston Assembly Nut	3	A5016
10	165600	FMC L06/L09 Cylinder Cover	3	3268192
11	165700	FMC L06/L09 Cylinder Cover Clamp	3	5260055
12	163100	FMC L06/L09 O-Ring	3	1101176
13	162000	FMC L06/L09 O-Ring, Cylinder Cover	3	3265960
14	162100	FMC L06/L09 Gasket, Cylinder/Liner	6	1280024
15	162800	FMC L06/L09 Seal Holder, Pony Rod Seal	3	1281655
16	162810	FMC M06/L06 Front Foot, Carbon Steel	1	5254219
17	165800	FMC L06 Liquid Level Gauge	1	5267123
18	166402	FMC L06/L09 Stud 5/8 / 7.50	2	P564622
19	166403	FMC L06/L09 Stud 5/8 / 10.50	6	P564623
20	166410	FMC L06 Heavy Hex Nut	10	504-088
21	162600	FMC L06/L09 Nut, Hex bronze	3	8309
22	166411	FMC L06 Washer Flat	8	1107386
23	164000	FMC L06 Plug 1-7/8 with O-Ring	3	3265963
24	166050	FMC L06 Plug 1-3/16 with O-Ring	3	3265961
25	-	FMC Nameplate	1	5277980
26	-	FMC Tapping Screw	4	1187413
27	-	FMC Caplug, tapered	2	1177204
28	-	FMC Caplug, tapered	2	1177203
29	-	FMC Operation & Maintenance Manual	1	P514112

## Rhino Supply

### FMC L0618 HV High Pressure Pump parts list



Item no.	Rhino part no.	Description	Qty.	Original #
1	166225	FMC L06 Power Frame	1	P533089
2	166300	FMC L06 Crankshaft, Int. Spline 14 Tooth 12/24	1	3265065
3	167500	FMC M06/L06 Connecting Rod	3	5262025
4	166900	FMC L06 Rod Bearing, Half Shell	6	P510430 (525669)
5	167200	FMC L06 Wrist Pin	3	526206
6	165500	FMC L06 Crosshead Assembly	3	5254181
7	167800	FMC L06 Seal Holder, Pony Rod Seal	3	5254195
8	167900	FMC L06 Oil Seal	6	1283603
9	166500	FMC M06 Bearing Housing Adapter, modified	1	3265063
10	168100	FMC M06 Bearing Housing, blind	1	5256653
11	167000	FMC L06 Gasket, Bearing Housing	2	5254177
12	167100	FMC L06 Shim	6	5254178
13	168150	FMC M06/L06 Back Cover	1	P505590
14	168200	FMC L06 Gasket, Back Cover	1	5254217
15	167300	FMC L06 Oil Seal	1	5257492
16	166700	FMC L06 Bearing Cone	2	320125
17	166750	FMC L06 Bearing Cup	2	320124
18	168300	FMC L06 Deflector Shield	3	P512378
19	168305	FMC M06/L06 Rear Foot	1	P505621
20	167600	FMC M06/L06 Set Screw	3	1103444
21	167400	FMC Cap Screw	6	1100043
22	167405	FMC Cap Screw	6	1100048
23	167610	FMC L06 Capscrew, Hex Head	12	320565
24	167406	FMC Cap Screw	6	1106980
25	167407	FMC Washer	12	1177455
26	168308	FMC L06 Street Elbow, 45deg, 3/4 Male NPT x 3/4 Fern	1	1105057
27	168307	FMC L06 Bushing, Hex Head 3/4 x 1/8	1	1106430
28	162200	FMC L06 Lube Vent, 1/8-27 PTF	1	1177536
29	167408	FMC Pipe Plug	1	3269460
30	159900	FMC Square head plug	2	1109987
31	168000	FMC Pipe plug	1	1187037