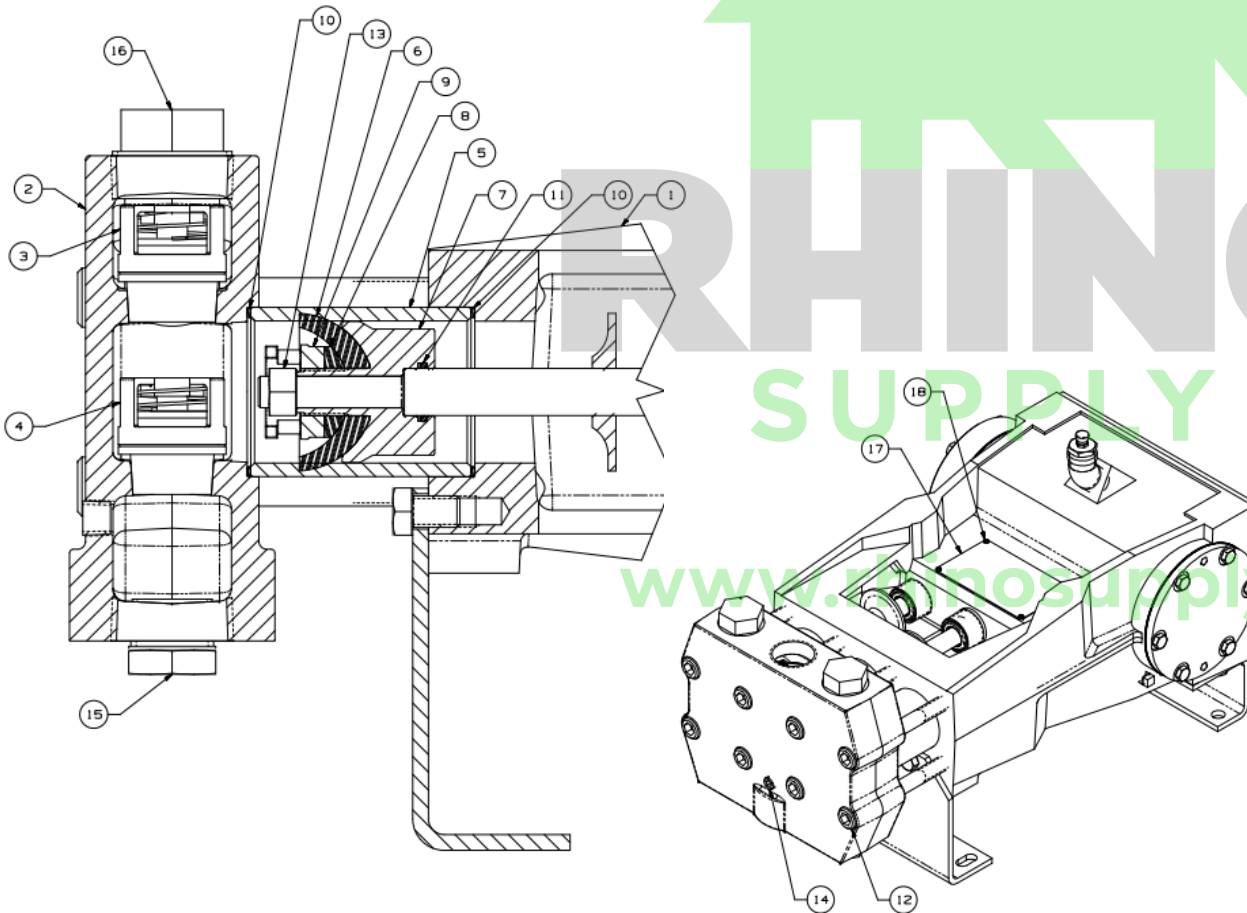


Rhino Supply

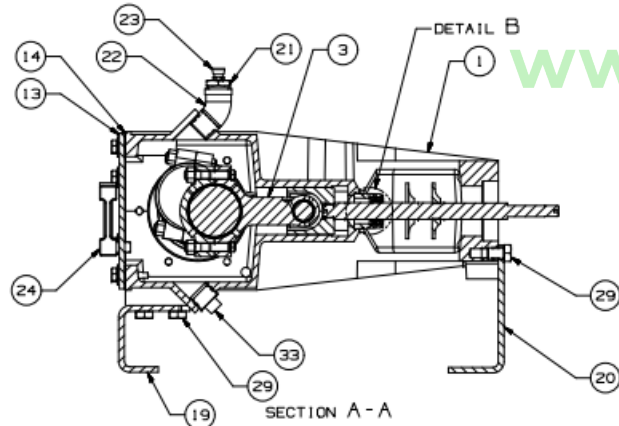
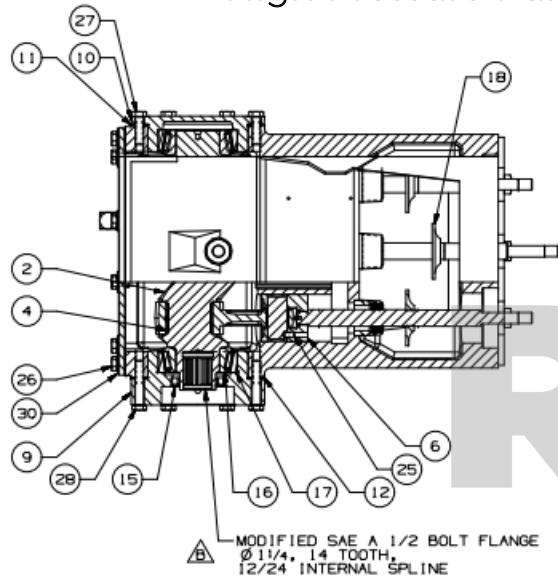
FMC L0618 COMP High Pressure Pump parts list



Item no.	Rhino part no.	Description	Qty.	Original #
1	165956	FMC L06 Power End Assembly, Modified SAE A-1/2" Bolt Hydraulic Drive, rear mount sight gauge, special front foot	1	P533468
2	166409	FMC L0614/L0618 COMPACT Fluid Cylinder, 1-1/2" NPT x 1-1/2" NPT DI	1	P515240
3	162300	FMC L06 Valve Assembly, Discharge	3	P533626
4	162400	FMC L06 Valve Assembly, Suction	3	P533621
3/4a	161900	FMC L06/L09 Valve Kit	1	P503042
5	169300	FMC L0918HD coated K-tech liner	3	P509088
5a	163300	FMC L0618 Liner Ceramic	3	1272060
5c	162100	FMC L06/L09 Gasket, Liner	3	1280024
6	161150	FMC L06/L09 Piston Cup (Gold)	3	P509003
6a	161100	FMC L06/L09 Packing Kit, Gold Cups	1	P537943
6b	161700	FMC L06/L09 Piston Cup (Black)	3	3267084
6c	161800	FMC L06/L09 Packing Kit, Black Cups	1	P503041
7	164400	FMC L06/L09 Piston Holder	3	P510072
8	162900	FMC L06/L09 Washer	3	1207289
9	162500	FMC L06/L09 Plunger / Piston Assembly Nut	3	A5016
10	162100	FMC L06/L09 Gasket, Cylinder/Liner	6	1280024
11	162645	FMC L0618COMP O-ring, 0.737 ID x 0.103 CS, Nitrile 70 duro	3	3226692
12	163305	FMC L0618COMP Cap Screw	8	P564745
13	162600	FMC L06/L09 Nut, Hex Bronze	3	8309
14	162647	FMC Pipe Plug	1	3226473
15	162650	FMC Pipe Plug	2	1101160
16	162651	FMC Pipe Plug	2	5260801
17		FMC Nameplate	1	5277980
18		FMC Tapping Screw	4	1187413
19		FMC Caplug, tapered	2	1177203
20		FMC Operation & Maintenance Manual	1	P514112

Rhino Supply

FMC L0618 COMP High Pressure Pump parts list



Item no.	Rhino part no.	Description	Qty.	Original #
1	166250	FMC L06 Power Frame, special front feet and sight mounted sights glass port	1	P515664
2	166300	FMC L06 Crankshaft, Int. Spline 14 Tooth 12/24	1	3265065
3	167500	FMC M06/L06 Connecting Rod	3	5262025
4	166900	FMC L06 Rod Bearing, Half Shell	6	P510430 (525669)
5	167200	FMC L06 Wrist Pin	3	526206
6	165500	FMC L06 Crosshead Assembly	3	5254181
7	167800	FMC L06 Seal Holder, Pony Rod Seal	3	5254195
8	167900	FMC L06 Oil Seal	6	1283603
9	166500	FMC M06 Bearing Housing Adapter, modified	1	3265063
10	168100	FMC M06 Bearing Housing, Blind	1	5256653
11	167000	FMC L06 Gasket, Bearing Housing	2	5254177
12	167100	FMC L06 Shim	6	5254178
13	168150	FMC M06/L06 Back Cover	1	P505590
14	168200	FMC L06 Gasket, Back Cover	1	5254217
15	167300	FMC L06 Oil Seal	1	5257492
16	166700	FMC L06 Bearing Cone	2	320125
17	166750	FMC L06 Bearing Cup	2	320124
18	168300	FMC L06 Deflector Shield	3	P512378
19	168305	FMC M/L06 Rear Foot	1	P505621
20	168306	FMC L06 Front Foot, for special drilled frame	1	P515665
21	168307	FMC L06 Bushing, Hex Head 3/4 x 1/8	1	1106430
22	168308	FMC L06 Street Elbow, 45deg, 3/4 Male NPT x 3/4 Fem	1	1105057
23	162200	FMC L06 Lube Vent, 1/8-27 PTF	1	1177536
24	165800	FMC L06 Liquid Level Gauge	1	5267123
25	167600	FMC L06 Set Screw	3	1103444
26	167610	FMC L06 Capscrew	12	320565
27	167400	FMC Cap Screw	6	1100043
28	167405	FMC Cap Screw	6	1100048
29	167406	FMC Cap Screw	9	1106980
30	167407	FMC Washer	12	1177455
31	167408	FMC Pipe plug	1	3269460
32	159900	FMC Square head plug	4	1109987
33	168000	FMC Pipe plug	1	1187037
-	162800	FMC L06/L09 Seal Holder, Pony Rod Seal		1281655

www.rhinosupply.nl