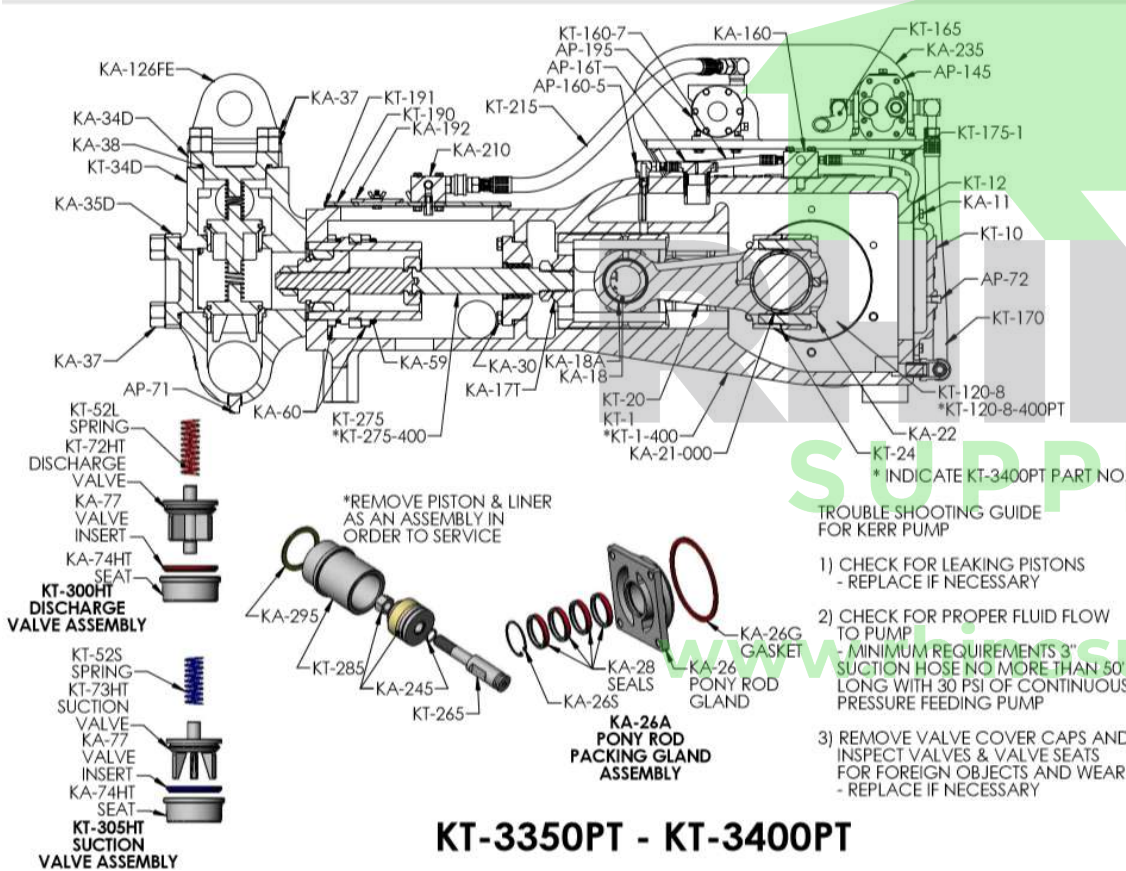


Rhino Supply

KERR KT-335OPT KT-340OPT High Pressure Pump parts list



TROUBLE SHOOTING GUIDE FOR KERR PUMP

- 1) CHECK FOR LEAKING PISTONS
 - REPLACE IF NECESSARY
- 2) CHECK FOR PROPER FLUID FLOW TO PUMP
 - MINIMUM REQUIREMENTS 3" SUCTION HOSE NO MORE THAN 50' LONG WITH 30 PSI OF CONTINUOUS PRESSURE FEEDING PUMP
- 3) REMOVE VALVE COVER CAPS AND INSPECT VALVES & VALVE SEATS FOR FOREIGN OBJECTS AND WEAR
 - REPLACE IF NECESSARY

Rhino part no.	Description	Qty	Original #
232300	Pump Case	1	KT-1
232400	Pump Case	1	KT-1-400PT
232600	Crankshaft-Heat Treated	1	KT-2-400
232500	Crankshaft-Heat Treated	1	KT-2
232700	Crankshaft Oil Seal	1	KT-3
232800	Bearing Housing (Blind Side)	1	KT-4
232900	Bearing Housing (Blind Side)	1	KT-4-400
233100	Bearing Housing Capscrews 2	3	KA-6B
233000	Bearing Housing Capscrews	9	KA-6
233300	Bearing Housing Gaskets	2	KT-7-400
233200	Bearing Housing Gaskets	2	KT-7
233405	Main Bearing Adjusting Shims .001	As Req.	KT-8-001
233900	Main Bearing Adjusting Shims .015	As Req.	KT-8-015-400
233800	Main Bearing Adjusting Shims .015	As Req.	KT-8-015
233700	Main Bearing Adjusting Shims .010	As Req.	KT-8-010-400
233600	Main Bearing Adjusting Shims .010	As Req.	KT-8-010
233500	Main Bearing Adjusting Shims .005	As Req.	KT-8-005-400
233400	Main Bearing Adjusting Shims .005	As Req.	KT-8-005
233406	Main Bearing Adjusting Shims .001	As Req.	KT-8-001-400
234000	Main Bearings	2	KT-9
234100	Pan Cover	1	KT-10
234200	Pan Cover Capscrews	14	KA-11
234300	Pan Cover Gasket	1	KT-12
221805	Breather Cap (Oil Filler) Threaded Style	1	AP-16T
234400	Breather Cap (Oil Filler)	1	AP-16
234700	Crosshead Tapered	3	KA-17T
234600	Crosshead	3	KA-17
234800	Wrist Pin	3	KA-18
234900	Wrist Pin Bushing	3	KA-18A
235000	Wrist Pin Set Screws & Nut	3	KA-19
235200	Connecting Rod (Inserted Both Ends)	3	KT-20A
235100	Connecting Rod Only (No inserts - Requires inserts both ends)	3	KT-20
235700	Connecting Rod Insert Bushing (.060)	3	KT-21-060
235600	Connecting Rod Insert Bushing (.045)	3	KT-21-045
235500	Connecting Rod Insert Bushing (.030)	3	KT-21-030
235400	Connecting Rod Insert Bushing (.015)	3	KT-21-015
235300	Connecting Rod Insert Bushing (Std)	3	KT-21-000
235800	Connecting Rod Capscrew	6	KA-22
235900	Connecting Rod Shims (Laminated)	6	KT-24
236400	Pony Rod Gland Snap Ring	3	KA-26S
236600	Pony Rod Gland Assembly (Pony Rod Gland, Snap Ring, 2 Seals, & 1 Wiper)	3	KA-26M-A
236500	Pony Rod Gland Snap Ring Type for KA-29 Seal Kit	3	KA-26M
236200	Pony Rod Gland Gasket	3	KA-26G
236100	Pony Rod Gland Assembly (Pony Rod, Snap Ring, Seals)	3	KA-26A
236000	Pony Rod Seal Gland Snap Ring Type	3	KA-26
236800	Pony Rod Seal (4 Seals per Set)	3 sets	KA-28
236900	Pony Rod Seal Kit (2 Seals & 1 Wiper per Set)	3	KA-29
254100	Installation Tool, Seal Guard Wiper Driver	1	KA-29SG-3
237100	Pony Rod Gland Capscrews SS	12	KA-30
237200	Pony Rod Splash Guard	3	KA-32PT
237300	Fluid End Vessel Only (Ductile)	1	KT-33D

Rhino Supply

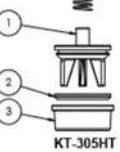
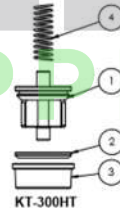
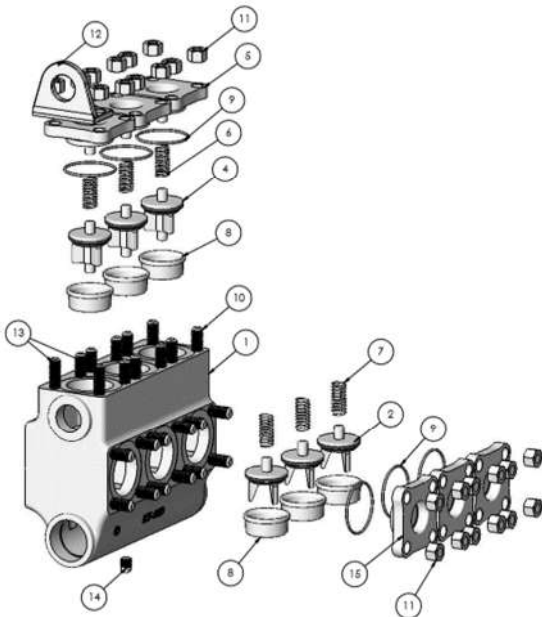
KERR KT-335OPT KT-340OPT High Pressure Pump parts list

ITEM NO.	QTY.	PART NO.	DESCRIPTION
1	1	KT-33D	FLUID END (VESSEL ONLY)
2	3	KA-73	SUCTION VALVE HEAT TREATED, A/R WITH INSERT
3	4	KA-77	ABRASIVE RESISTANT VALVE INSERT
4	3	KT-72HT	DISCHARGE VALVE HEAT TREATED, A/R WITH INSERT
5	3	KA-34D	TOP COVER CAP (DUCTILE)
6	3	KT-52L	VALVE SPRING (DISCHARGE) (LONG)
7	3	KT-52S	SPRING, VALVE SUCTION SHORT
8	4	KA-74HT	VALVE SEAT HEAT TREATED, A/R
9	4	KA-38	O-RING COVER CAP
10	22	KA-36	COVER CAP STUD
11	24	KA-37	COVER CAP STUD NUT
12	1	KA-126FE	FLUID END LIFTING EYE
13	2	KA-36B	COVER CAP BRACKET STUD
14	1	AP-71	FLUID END DRAIN PLUG
15	3	KA-35D	END COVER CAP (DUCTILE)

ITEM NO.	QTY.	PART NO.	DESCRIPTION
1	1	KT-72HT	DISCHARGE VALVE HEAT TREATED, A/R WITH INSERT
2	1	KA-77	ABRASIVE RESISTANT VALVE INSERT
3	1	KA-74HT	VALVE SEAT HEAT TREATED, A/R
4	1	KT-52L	SPRING, LONG DISCHARGE

ITEM NO.	QTY.	PART NO.	DESCRIPTION
1	1	KT-73	SUCTION VALVE HEAT TREATED, A/R WITH INSERT
2	1	KA-77	ABRASIVE RESISTANT VALVE INSERT
3	1	KA-74HT	VALVE SEAT HEAT TREATED, A/R
4	1	KT-52S	SPRING, VALVE SUCTION SHORT

FLUID END ASSEMBLY DRAWING

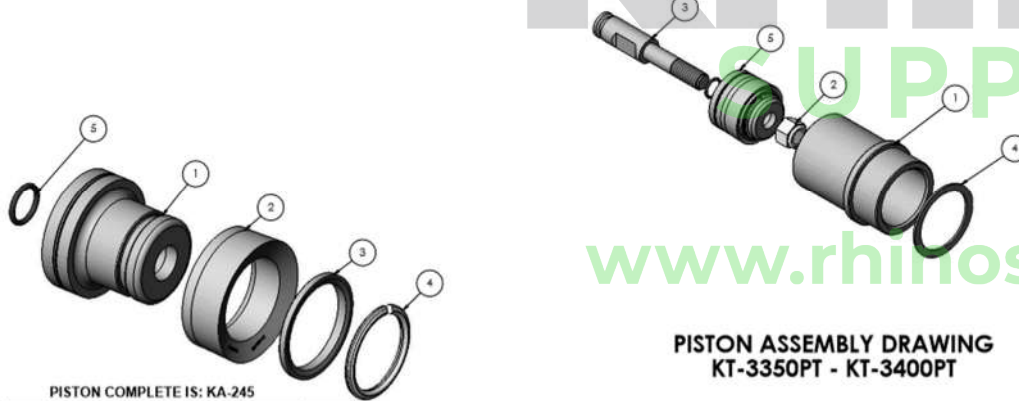


Rhino part no.	Description	Qty	Original #
237400	Top Cover Cap (Ductile)	3	KA-34D
237500	End Cover Cap	3	KA-35
237700	Cover Cap Bracket Stud	2	KA-36B
237600	Cover Cap Stud	22	KA-36
237800	Cover Cap Stud Nut	24	KA-37
237805	Cover Cap O' Ring (Aflas)	6	KA-38A
237900	Cover Cap O-Ring, Nitrile	6	KA-38N
238100	Valve Spring (Suction) (Short)	3	KT-52S
238000	Valve Springs Discharge Long	3	KT-52L
238500	Fluid End / Liner Retainer Lineup Studs	2	KA-59T
238200	Fluid End / Liner Retainer Studs	10	KA-59
238600	Stud Nut	24	KA-60
238600	Stud Nut	24	KA-60
238700	Valve Puller Wing Type	1	KA-68
238701	Rod, Puller	1	KA-68M-1
238702	Pin Set, Puller	3	KA-68M-2
238703	Head, Puller	1	KA-68M-3
238704	Spacer Washer, Puller	1	KA-68M-4
238705	Nut, Puller	1	KA-68M-5
238706	O-Ring, Puller	1	KA-68M-5
	O-Ring, Puller	1	KA-68M-5
	Nut, Puller	1	KA-68M-5
	Spacer Washer, Puller	1	KA-68M-4
	Head, Puller	1	KA-68M-3
	Pin Set, Puller	3	KA-68M-2
	Rod, Puller	1	KA-68M-1
	Wing-Guided Seat Tri-Pin Type Puller Assy	1	KA-68M
	Valve Puller Wing Type	1	KA-68
238800	Drain Plug 1/2" Hex Pipe Plug	1	AP-71
238800	Drain Plug 1/2" Hex Pipe Plug	1	AP-71
238900	1/8 NPT Oil Level/Stuffing Box Hex Plug (Steel)	3	AP-72S
238905	1/8 NPT Oil Level/Stuffing Box Hex Plug (Stainless Steel)	3	AP-72SS
238906	1/8 NPT Oil Level/Stuffing Box Hex Plug (AB)	3	AP-72AB
239100	Discharge Valve, Heat Treated, A/R with Insert	3	KT-072HT
238906	1/8 NPT Oil Level/Stuffing Box Hex Plug (AB)	3	AP-72AB
239200	Suction Valve, Heat Treated, A/R with Insert	3	KT-073HT
239200	Suction Valve, Heat Treated, A/R with Insert	3	KT-073HT
239300	Valve Seat, Heat Treated, A/R	6	KA-74HT
239300	Valve Seat, Heat Treated, A/R	6	KA-74HT
239500	Discharge Valve Insert Red	6	KA-77R
239400	Suction Valve Insert Blue	3	KA-77B
239505	KT-335OPT Rebuild Gasket Kit Complete: (1) KT-3, (2) KT-7, (1) KT-12, (3) KA-26G, (3) KA-28, (3) KA-32PT, (6) KA-38, (1) KA-127, (1) KA-135, (1) KA-161, (1) KT-191, (3) KA-246, (3) KA-295, (1) KA-331	1	KT-113PT
239506	KT-340OPT Rebuild Gasket Kit Complete: (1) KT-3, (2) KT-7-400, (1) KT-12, (3) KA-26C, (3) KA-28, (3) KA-32PT, (6) KA-38, (1) KA-127, (1) KA-135, (1) KA-161, (1) KT-191, (3) KA-246, (3) KA-295, (1) KA-331	1	KT-113PT-400
239600	Crankshaft, Splined Hydraulic Drive 40 Tooth Spline	1	KT-120-6
239700	Crankshaft, Splined Hydraulic Drive 21 Tooth Spline	1	KT-120-8
239800	Crankshaft, Splined Hydraulic Drive 21 Tooth Spline	1	KT-120-8-400PT
239700	Crankshaft, Splined Hydraulic Drive 21 Tooth Spline	1	KT-120-8
239600	Crankshaft, Splined Hydraulic Drive 40 Tooth Spline	1	KT-120-6
239900	Bearing Housing, Hydraulic Drive # 6	1	KT-125-6
240000	Bearing Housing, Hydraulic Drive # 8	1	KT-125-8
240100	Bearing Housing, Hydraulic Drive # 8	1	KT-125-8-400PT

Rhino Supply

KERR KT-3350PT KT-3400PT High Pressure Pump parts list

ITEM NO	PART NUMBER	DESCRIPTION	QTY
1	KT-285-350CH	LINER 3 1/2" HEAT TREATED	1
2	KA-270	PISTON EXTENSION ROD LOCK NUT	1
3	KT-265	PISTON EXTENSION ROD	1
4	KA-295	LINER GASKET	1
5	KA-245	PISTON COMPLETE	1



**PISTON ASSEMBLY DRAWING
KT-3350PT - KT-3400PT**

PISTON COMPLETE IS: KA-245

ITEM NO.	PART NUMBER	DESCRIPTION	QTY
1	KA-260-350	PISTON BODY ONLY 3 1/2"	1
2	KA-263-350	PISTON CUP	1
3	KA-261-350	PISTON CUP RETAINER PLATE	1
4	KA-262	PISTON CUP SNAP RING	1
5	KA-244	PISTON O-RING	1

ITEMS 2, 3, & 4 SOLD AS A KIT ONLY:
PART NO. KA-260-300 [3"]; KA-260-350 [3 1/2"]; KA-260-400 [4"]

ITEMS 1, 2, 3, 4, & 5 PISTON COMPLETE SOLD AS PART NUMBER:
KA-245-300 [3"]; KA-245-350 [3 1/2"]; KA-245-400 [4"]

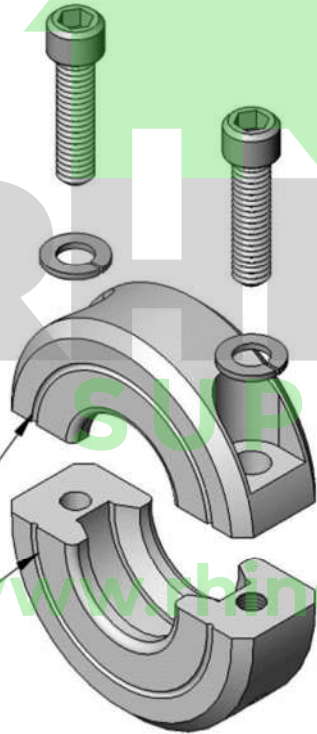
Rhino part no.	Description	Qty	Original #
240300	Fluid End Lifting Eye	1	KA-125FE
240300	Fluid End Lifting Eye	1	KA-125FE
240100	Bearing Housing, Hydraulic Drive # 8	1	KT-125-8-400PT
240000	Bearing Housing, Hydraulic Drive # 8	1	KT-125-8
239900	Bearing Housing, Hydraulic Drive # 6	1	KT-125-6
240200	Bearing Cap Lifting Eye	1	KT-126BH
240200	Bearing Cap Lifting Eye	1	KT-126BH
240400	# 8 Auburn Housing Gasket	1	AP-127
240400	# 8 Auburn Housing Gasket	1	AP-127
240500	Bearing Housing, Extension Shaft Side	1	KT-130
240600	Bearing Housing, Extension Shaft Side	1	KT-130-400PT
240500	Bearing Housing, Extension Shaft Side	1	KT-130
240700	Auxiliary Shaft	1	AP-132
240700	Auxiliary Shaft	1	AP-132
240800	Oil Seal, Bearing Housing Extension Shaft	1	AP-135
240800	Oil Seal, Bearing Housing Extension Shaft	1	AP-135
240900	Bracket, Oil and Water Pumps (Left-Hand Drive)	1	KT-140LH
241000	Bracket, Oil and Water Pumps (Right-Hand Drive)	1	KT-140RH
240900	Bracket, Oil and Water Pumps (Left-Hand Drive)	1	KT-140LH
241100	Oil Pump, 1/2 Cast Iron	1	AP-145
241200	Sheave, Oil Pump	1	AP-150
241300	Belt, Oil Pump	1	KT-155
242000	Fitting, Female Swivel (Supplied with hose)	3	AP-160-6
241900	Fitting, Crosshead Oil, Injector	3	AP-160-5
241800	Oil Manifold Plug	1	AP-160-4
241700	Male Pipe Rigid 1/4 x 1/8 (Supplied with hose)	5	AP-160-3
241600	90 Degree Tube Fitting 1/2 (Supplied with hose)	1	AP-160-2
241500	Oil Manifold 90 Degree Elbow	1	AP-160-1
241400	Oil Manifold	1	KA-160
242100	Oil Manifold Gasket	1	AP-161
242200	Oil Line, Pump to Oil Manifold	1	KT-165
242250	Oil Line, Pump to Oil Sump	1	KT-170
242300	Oil Line, Manifold to Bearing Housing	2	KT-175
242400	Oil Line, Manifold to Planetary Gear	1	KT-176
242500	Oil Line, Manifold to Crosshead	3	KA-180
243800	1/4-20 UNC Nut	4	AP-190-14
243700	1/4 Lock Washer	4	AP-190-13
243600	Fitting, Water Jet	3	AP-190-12
243500	Piston Chamber Cover Setscrew	2	KA-190-11
243400	Piston Chamber Cover Wing Nut	2	KA-190-10
243300	Piston Chamber Cover Inspection Glass Capscre	2	AP-190-9
243200	Piston Chamber Cover Inspection Glass Wing Nu	2	AP-190-8
243100	Water Manifold Quick Coupling	1	AP-190-5
243000	Water Manifold 90 Degree Fitting	1	AP-190-4
242900	Water Manifold/Oil Manifold Bolt	4	AP-190-3
242800	Water Manifold Plug	1	AP-190-2
242600	Piston Chamber Spray Unit Complete	1	KT-190A
242700	Piston Chamber Cover	1	KT-190
243900	Piston Chamber Cover Gasket	1	KT-191
244000	Piston Chamber Cover Inspection Glass	1	KA-192

Rhino Supply

KERR KT-3350PT KT-3400PT High Pressure Pump parts list

**CRITICAL NOTE:
 MATCH GROOVE
 & KEEP PIECES TOGETHER
 DO NOT MIX WITH
 ANOTHER KA-280**

KA-280



Rhino part no.	Description	Qty	Original #
244100	Water Pump, Bronze	1	AP-195
244200	Water Pump Repair Kit (Nitrile)	1	AP-197
244600	Sheave, Water Pump 175	1	AP-200-175
244300	Sheave, Water Pump 5.2	1	AP-200-520
244400	Sheave, Water Pump 3.2	1	AP-200-320
244500	Sheave, Water Pump (KA use belt KA-205-038)	1	AP-200-260
244700	Belt, Water Pump A41	1	AP-205-041
244800	Belt, Water Pump A39	1	AP-205-039
244900	Belt, Water Pump A37	1	AP-205-037
245000	Belt, Water Pump A35	1	AP-205-035
245100	Water Manifold	1	KA-210
245200	Line, Water Pump to Manifold	1	KT-215
245300	3/8 Quick Connect	1	AP-216
245400	Line, Water Pump to Supply Tank	1	KT-220
245500	Line, Water Manifold to Piston Cover	3	KT-225
245700	Sheave Bushing	1	AP-230-9
245600	Sheave, Crankshaft Drive to Pumps	1	AP-230
246900	Rotation Label	1	AP-235-50
246800	90 Degree Tube Fitting 1/4 (Supplied with hose)	1	AP-235-32
246700	SAE JIC Male Connector 1/4 x 1/8	2	AP-235-31
246600	3/8-16 UNC x 3/8 Setscrew	2	AP-235-27
246500	3/8-16 UNC Hex Head Nut	2	AP-235-24
246400	3/8 Lock Washer	2	AP-235-23
246300	3/8 Flat Washer	2	AP-235-22
246200	3/8-16 UNC x 1 1/4	2	AP-235-21
246100	1/4 Flat Washer	2	AP-235-19
246000	1/4-20 UNC x 1 1/4 Capscrew	2	AP-235-17
245900	Belt Guard, Pump Drive (Right-Hand Drive)	1	KT-235RH
245800	Belt Guard, Pump Drive (Left-Hand Drive)	1	KT-235LH
247200	Piston Complete 4	3	KA-245-400
247000	Piston Complete 3	3	KA-245-300
247100	Piston Complete 3 1/2	3	KA-245-350
247300	Piston O' Ring	3	KA-246
247400	Piston Snap Ring Installation Tool	1	KA-248
247800	Piston, Body Only 4	3	KA-250-400
247600	Piston, Body Only 3 1/2	3	KA-250-350
247500	Piston, Body Only 3	3	KA-250-300
248200	Piston Cup Kit 4 (cup, retainer plate, snap ring)	3	KA-260-400
248100	Piston Cup Kit 3.5 (cup, retainer plate, snap ring)	3	KA-260-350
248000	Piston Cup Kit 3 (cup, retainer plate, snap ring)	3	KA-260-300
248300	Piston Extension Rod	3	KT-265
248400	Piston Extension Rod Lock Nut	3	KA-270
248500	Pony Rod Piston Pump Type	3	KT-275-400
248500	Pony Rod Piston Pump Type	3	KT-275
248700	Installation Tool for Pony Rod Seal	1	KA-276
248800	Installation Wrench, Pony Rod	1	KA-277
248900	Clamp, Pony Rod to Piston Rod	3	KA-280
248905	Socket Head Capscrew	2	KA-281
250105	Liner Assembly 4 (Piston complete, rod, locknut, liner, gasket, KT-285-400KER-A)	3	KT-285-400KER-A
250100	Liner Assembly 4 (Piston complete, rod, locknut, liner, gasket)	3	KT-285-400CH-A
250005	Liner Assembly 3 1/2 (Piston complete, rod, locknut, liner, gasket, KT-285-350KER-A)	3	KT-285-350KER-A
250000	Liner Assembly 3 1/2 (Piston complete, rod, locknut, liner, gasket)	3	KT-285-350CH-A
249800	Liner Assembly 3 1/2 (Piston complete, rod, locknut, liner, gasket)	3	KT-285-350CER-A
249900	Liner Assembly 3 (Piston complete, rod, locknut, liner, gasket)	3	KT-285-300CH-A
249700	Liner Assembly 3 (Piston complete, rod, locknut, liner, gasket)	3	KT-285-300CER-A
249505	Liner, 4 Ceramic	3	KT-285-400KER
249500	Liner, 4 Chrome	3	KT-285-400CH



Rhino Supply

KERR KT-3350PT KT-3400PT High Pressure Pump parts list

Rhino part no.	Description	Qty	Original #
249405	Liner, 3 1/2 Kerramic	3	KT-285-350KER
249400	Liner, 3 1/2 Ceramic	3	KT-285-350CER
249200	Liner, 3 1/2 Chrome	3	KT-285-350CH
249100	Liner, 3 Ceramic	3	KT-285-300CER
249000	Liner, 3 Chrome	3	KT-285-300CH
250200	Liner Retainer	3	KA-290
250300	Liner Gasket	3	KA-295
250400	Discharge Valve Complete, A/R Heat Treated (KT-72HT, KA-74HT & 52L)	3	KT-300HT
250500	Suction Valve Complete, A/R Heat Treated (KT-73HT, KA-74HT & KT-52S)	3	KT-305HT
250600	Valve Seat Seating Tool	1	KA-306
250700	Flow Meter	1	AP-320
250750	# 6 Planetary Gear Assembly	1	AP-323
250800	# 8 Planetary Gear Assembly	1	AP-324-8-4
250850	# 9 Planetary Gear Assembly 5.501	1	AP-324-9-5
250900	Planetary Adapter Kit 6 to 8	1	KT-325
251000	Spline Adapter (21-40)	1	KA-326
251100	Spline Adapter Spacer	1	KA-327
251209	Snap Ring, SAE C 4 Bolt Drive Assembly 1-1/2 Male Input Shaft	1	AP-330-2
251208	Oil Seal, SAE C 4 Bolt Drive Assembly 1-1/2 Male Input Shaft	1	AP-330-1
251207	Bearings, SAE C 4 Bolt Drive Assembly 1-1/2 Male Input Shaft	2	AP-330B
251206	Input Shaft, SAE C 4 Bolt Drive Assembly 1-1/2 Male Input Shaft	1	AP-330S
251205	Housing, SAE C 4 Bolt Drive Assembly 1-1/2 Male Input Shaft	1	AP-330H
251200	SAE C 4 Bolt Drive Assembly 1-1/2 Male Input Shaft	1	AP-330
251300	O'Ring, #8 Auburn Input Drive Assembly	1	AP-331
251210	Oil Level Sight Glass	1	AP-351
251211	Oil Level Sight Plug	1	AP-352
251400	Sunstrand Motor 90 Series	1	AP-450
251550	Valve Assy, Complete A/R Caged (KA-501HT, KA-502HT, KA-504, KA-506, KP-85 & KA-42-3)	3	KA-500HT
251551	Seat, Valve, Heat Treated	5	KA-501HT
251552	Valve w/Insert, Heat Treated	5	KA-502HT
251553	Cage, Valve	5	KA-504HT
251554	Valve Seat O'Ring	6	KA-506
251555	Cage Wrench	1	KA-550
251600	Oil Cooler w/110 V Fan Motor	1	KA-701
251505	Special Tool Kit consists of (KA-68M, AP-77T, KA-248, KA-276, KA-277, KA-306)	1	KA-900

www.rhinosupply.nl