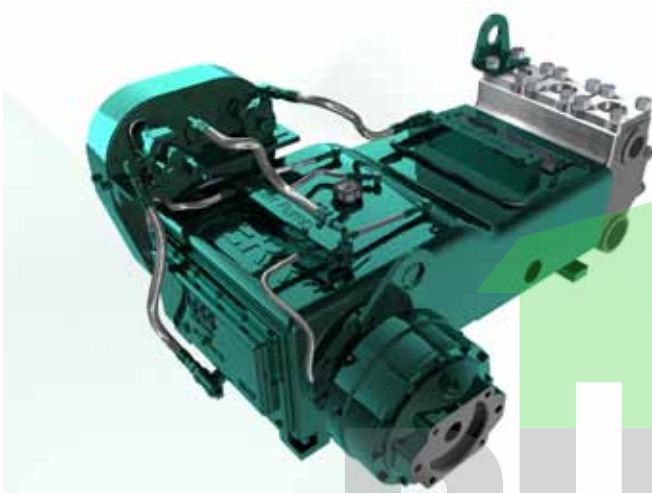


KT-3400PT 131 BHP Triplex Piston Pump

Intermittent Duty



SPECIFICATIONS

Configuration	Horizontal Triplex Piston
Number of Pistons	3
Stroke Length	4.000" / 101.6 mm
Frame Load Rating	9,264 lbs
Fluid Cylinder Pressure Rating	2,160 PSI
Pump Weight (Avg.)	1,200 lbs / 545 kilos
Kerr Max Speed	420 RPM
Minimum Speed	100 RPM
Mechanical Efficiency (Bare Shaft)	90%
Lube System (Standard)	Splash - Gravity Feed
Lube System (Optional)	Force Feed
Lube Oil Capacity	16 quarts / 15.4 liters
Lube Oil Type	Petroleum per AGMA 5EP (ISO 220) or Synthetic per SAE 75W-90 (ISO 100)
Connection Sizes	3" NPT Suction 2" NPT Discharge

RHINO
SUPPLY

FLUID END

Cast Ductile Iron
Other materials available on request

www.rhinosupply.nl

VALVES

WING GUIDED	
17-4 HT / AR Urethane Inserted	

PISTONS / LINERS

Rubber / Ceramic Sleeved
Rubber / Chrome Plated-Sleeved
Rubber / Kerramic (Ceramic) Coat

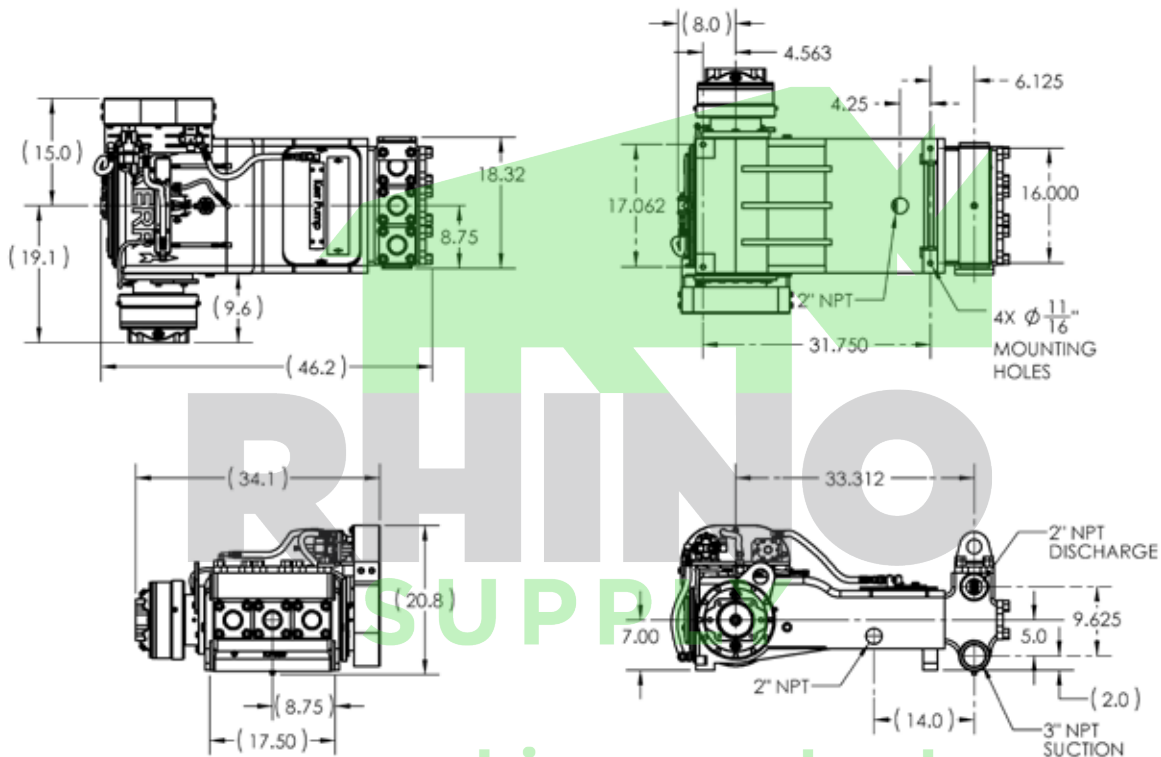
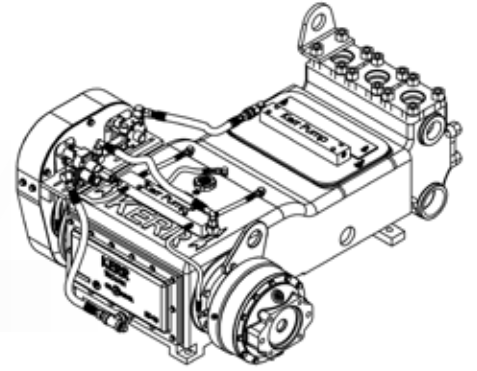
* Consult Factory for Authorized Drawings for Dimensions

1) Displacement is based on 100% Volumetric Efficiency (VE)

2) Consult factory for operating speeds above maximum shown

KT-3400PT 131 BHP Triplex Piston Pump

Intermittent Duty



www.rhinosupply.nl

PIST DIA. INCHES	MAX PRESS PSI	DISP GAL PER REV	DISPLACEMENT																	
			100 RPM		140 RPM		180 RPM		220 RPM		260 RPM		300 RPM		340 RPM		380 RPM		420 RPM	
			GPM	BPD	GPM	BPD	GPM	BPD	GPM	BPD	GPM	BPD	GPM	BPD	GPM	BPD	GPM	BPD	GPM	BPD
3.000	1311	0.3672	36.7	1259	51.4	1763	66.1	2267	80.8	2771	95.5	3275	110.2	3778	124.8	4282	139.5	4786	154.2	5290
3.500	963	0.4998	50.0	1714	70.0	2400	90.0	3086	110.0	3771	129.9	4457	149.9	5143	169.9	5829	189.9	6514	209.9	7200
4.000	737	0.6528	65.3	2239	91.4	3135	117.5	4030	143.6	4926	169.7	5822	195.8	6717	N/A	N/A	N/A	N/A	N/A	N/A

* Consult Factory for Authorized Drawings for Dimensions

1) Displacement is based on 100% Volumetric Efficiency (VE)

2) Consult factory for operating speeds above maximum shown